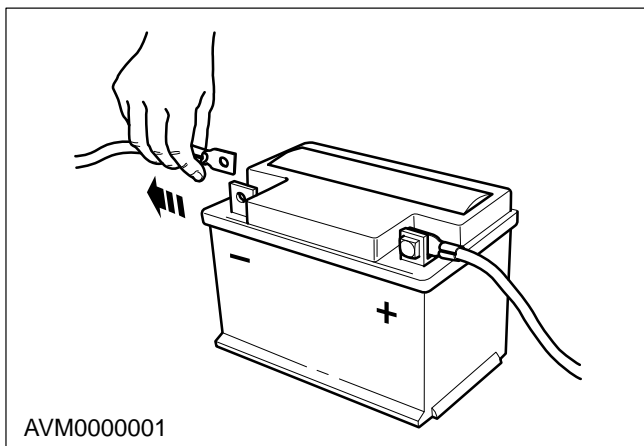
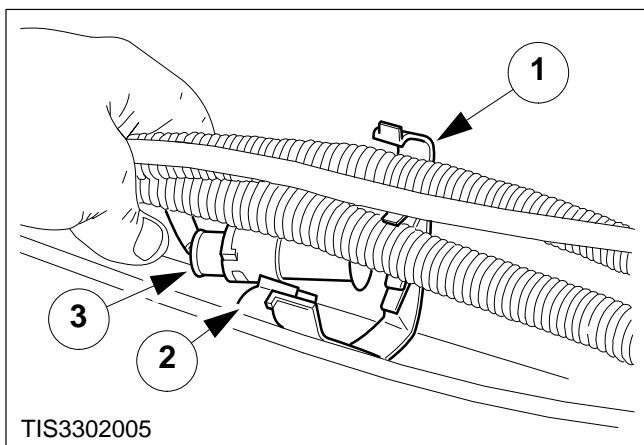


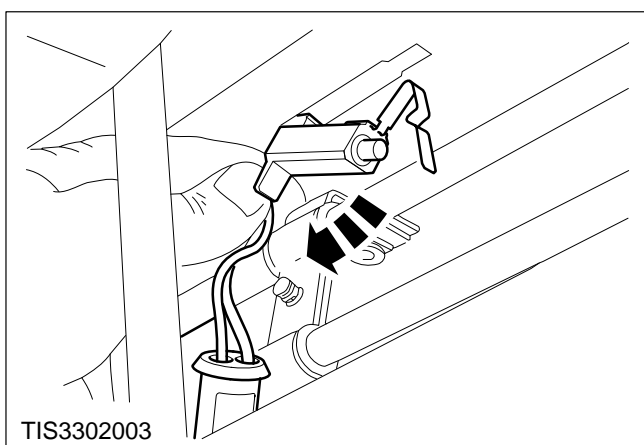
**Sender Unit – Low Air Temperature Warning – Remove and Install (33 309 0)****Remove**

- 1. Disconnect the battery negative lead.**



- 2. Release the multiplug.**

- 1 Unclip the wiring loom.
- 2 Unclip the multiplug from the front crossmember.
- 3 Disconnect the multiplug.



- 3. Remove the low air temperature sender unit.**

## Install

- 4. Refit the components in reverse order.**