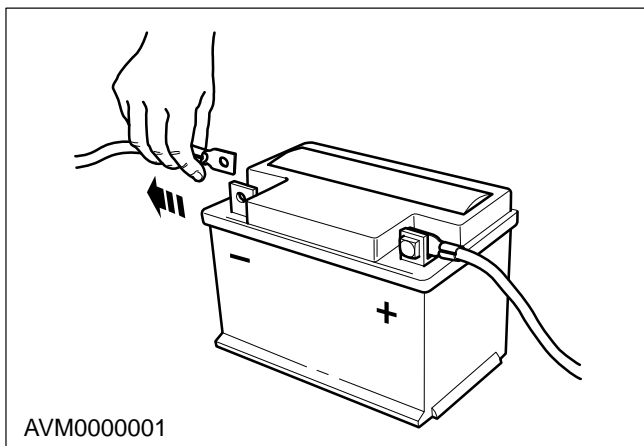
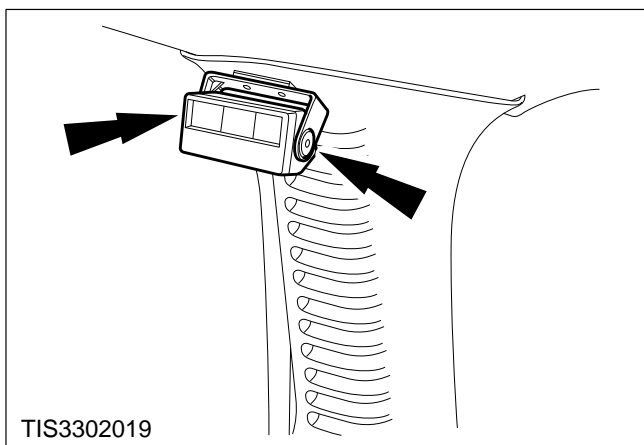


## Display Assembly – Park Position (Wagon) – Remove and Install (33 368 0)

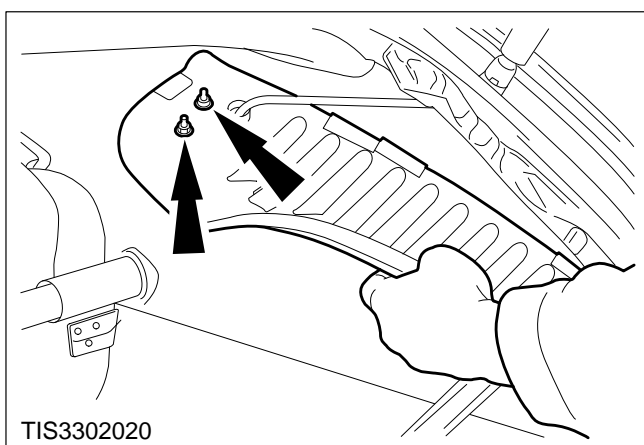


### Remove

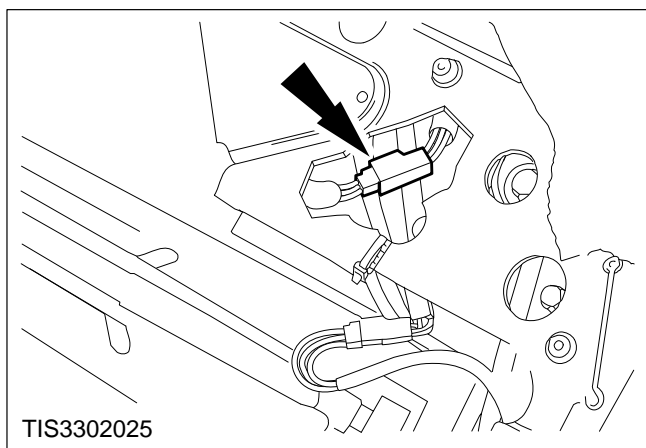
1. Disconnect the battery negative lead.



2. Remove the display (two screws).
3. Remove the D-pillar trim (refer to Operation Number 43 619 0).



4. Remove the display mounting bracket (two nuts).



**5. Disconnect the multiplug.**

- Prise the grommet from the D-pillar trim.
- Cut any necessary cable ties.
- Gently pull the cable through the hole in the D-pillar trim.

**Install**

- 6. Refit the components in reverse order.**