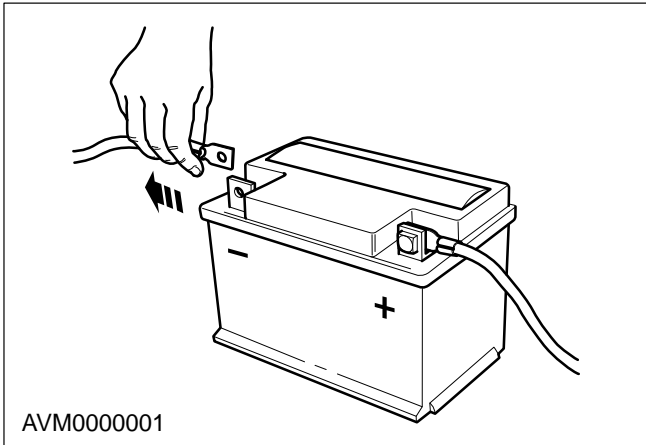
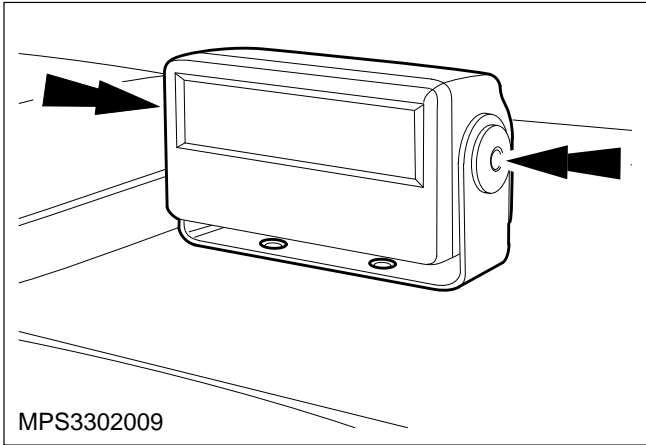


**Display Assembly – Park Position (Notchback) – Remove and Install (33 368 0)**

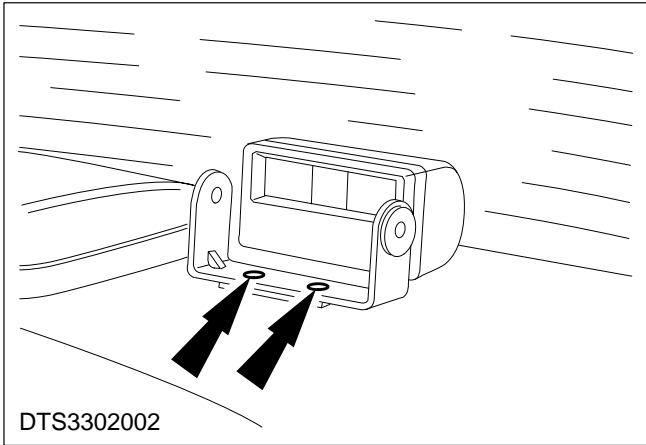


**Remove**

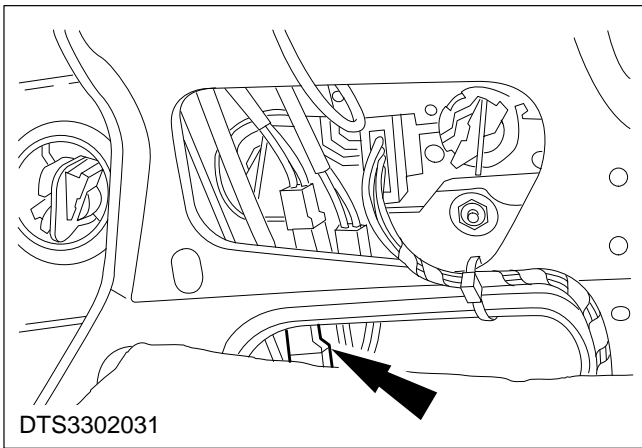
- 1. Disconnect the battery negative lead.**



- 2. Remove the display (two screws).**



- 3. Remove the display mounting bracket (two screws).**



**4. Disconnect the multiplug.**

- Prise the grommet from the parcel shelf.
- Cut any necessary cable ties.
- Gently pull the cable through the hole in the parcel shelf.

**Install**

- 5. Refit the components in reverse order.**