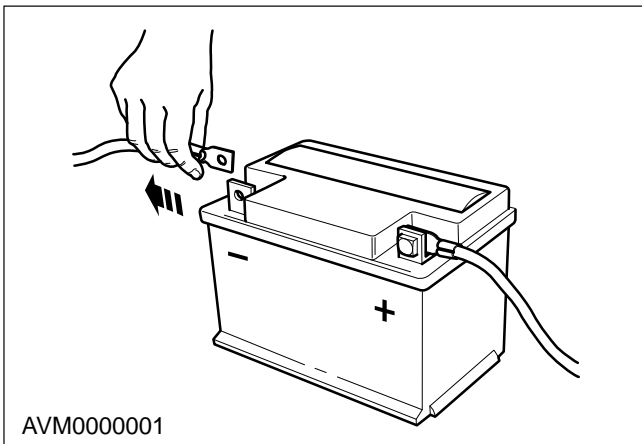
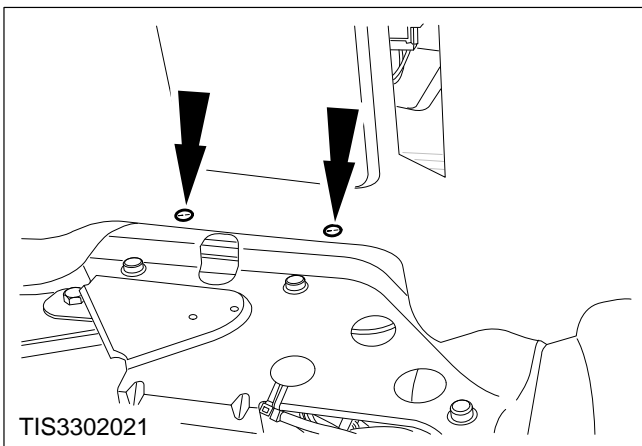
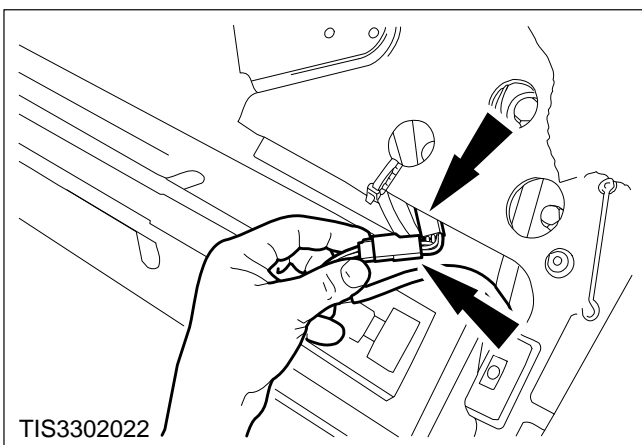


Module – Park Position (Wagon) – Remove and Install (33 370 0)**Remove**

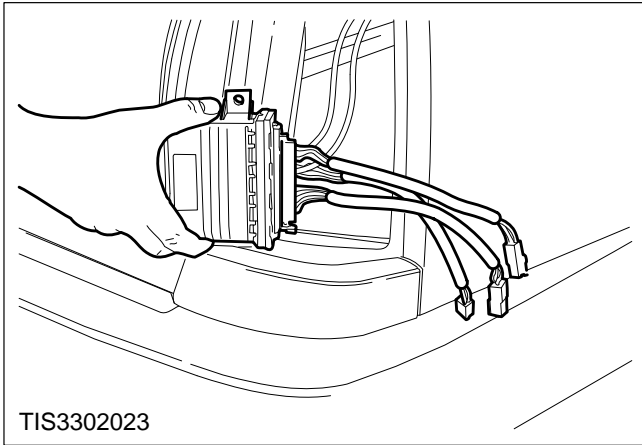
- 1. Disconnect the battery negative lead.**
- 2. Remove the load space floor covering panel (refer to Operation Number 43 838 0).**
- 3. Remove the right-hand rear lamp assembly (refer to Operation Number 32 305 0).**



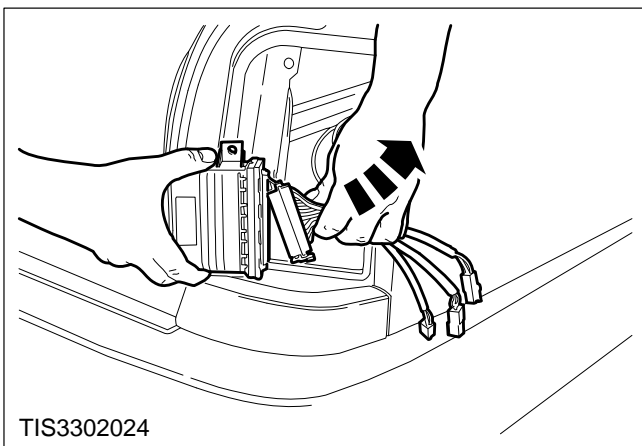
- 4. Remove the module securing screws.**



- 5. Disconnect the sensor and display multiplugs.**



6. **Withdraw the module through the lamp assembly aperture.**



7. **Disconnect the multiplug and remove the module.**

Install

8. **Refit the components in reverse order.**