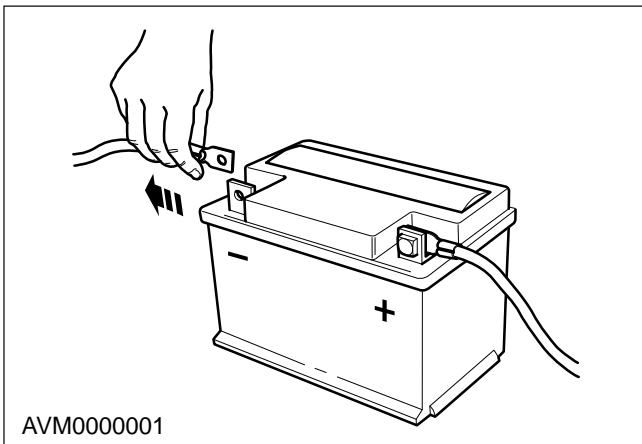
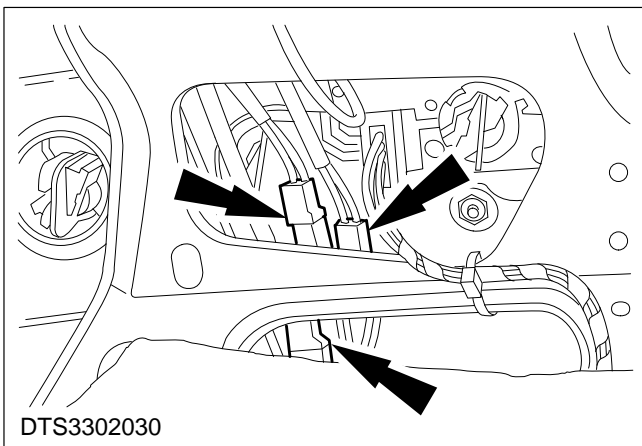
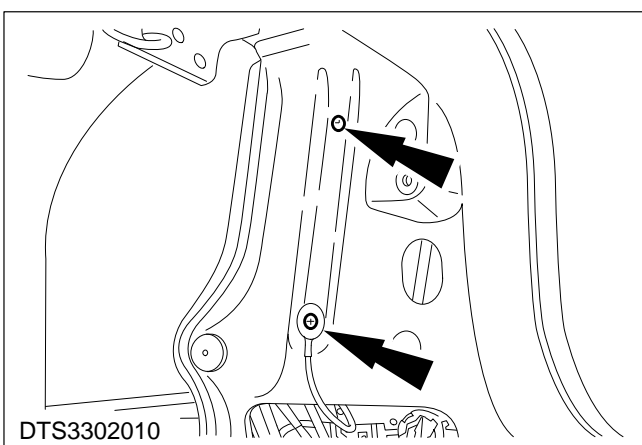


Module – Park Position (Notchback) – Remove and Install (33 370 0)**Remove**

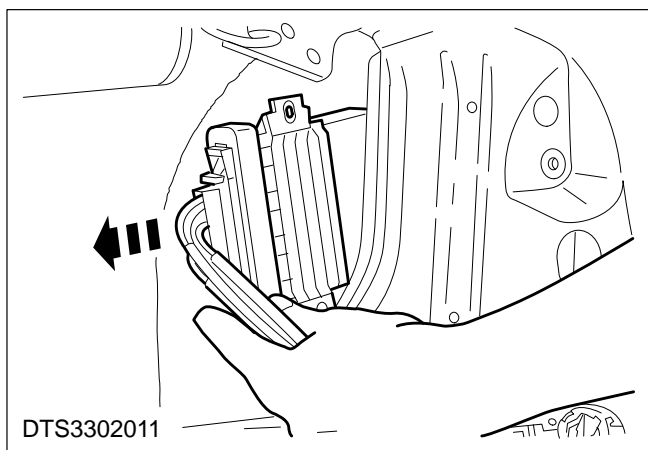
- 1. Disconnect the battery negative lead.**
- 2. Remove the right-hand load space trim panel (refer to Operation Number 43 746 0).**



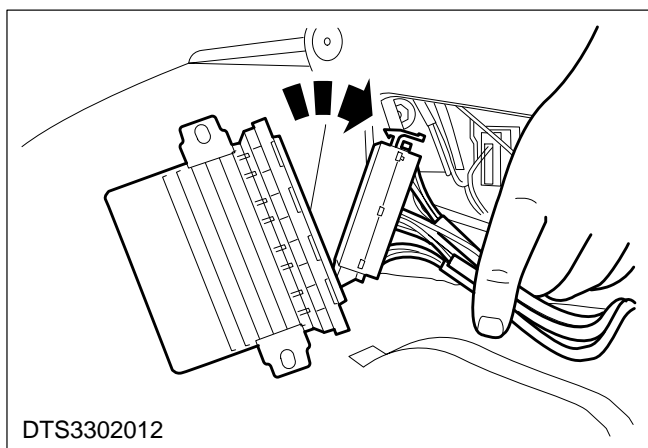
- 3. Disconnect the sensor and display multiplugs.**



- 4. Remove the module securing screws.**



5. Withdraw the module.



6. Disconnect the multiplug and remove the module.

Install

7. Refit the components in reverse order.