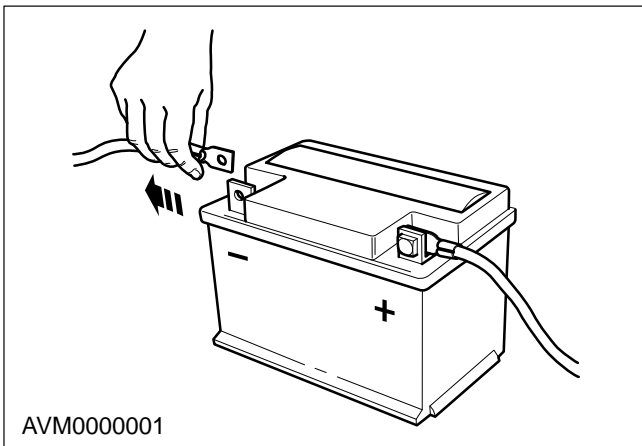
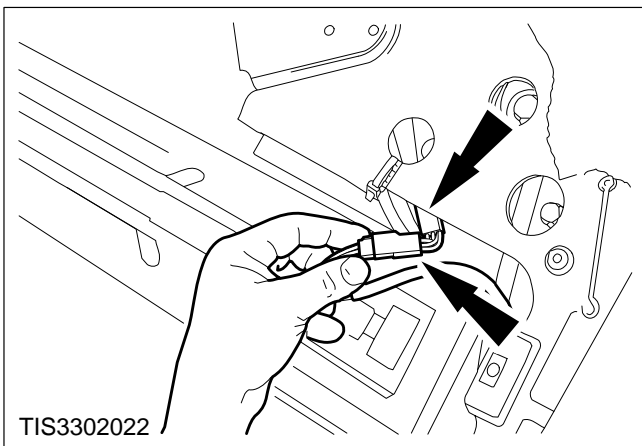


Sensor – Park Position (Wagon) – Remove and Install (33 369 0)

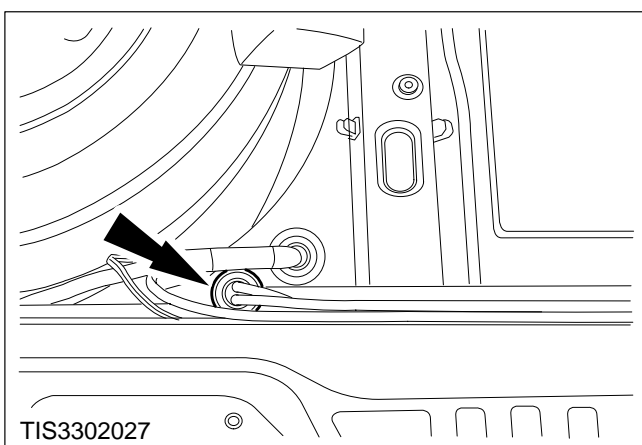


Remove

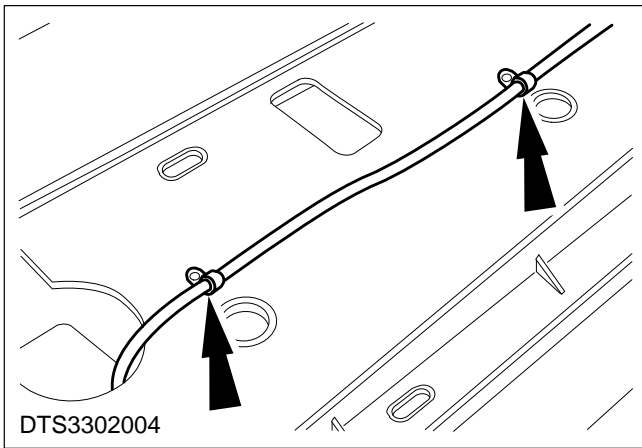
1. Disconnect the battery negative lead.
2. Remove the load space floor covering (refer to Operation Number 43 838 0).
3. Hinge open the spare wheel and vehicle jack cover plates.



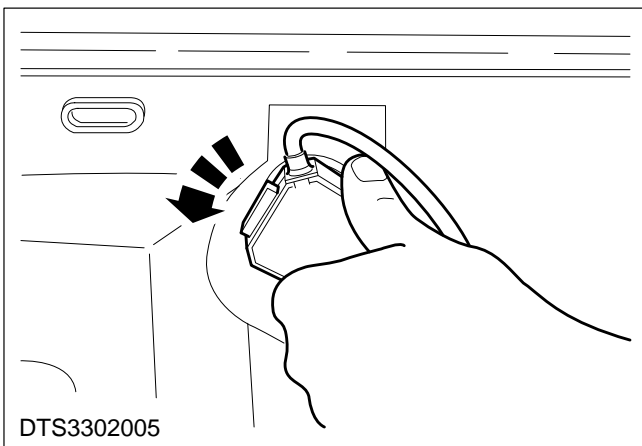
4. Disconnect the sensor multiplugs.
5. Remove the rear bumper (refer to Operation Number 43 468 0).



6. Gently pull the sensor cables and multiplugs through the grommet in the luggage compartment floor.



7. Remove the cable clips.



8. Remove the required sensor.

Turn anti-clockwise to release.

Install

9. Refit the components in reverse order.