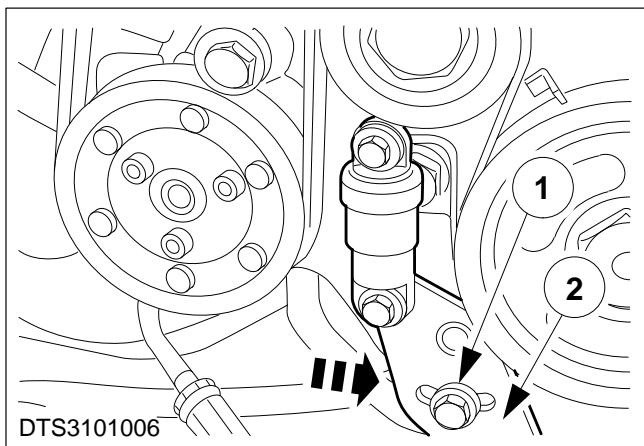
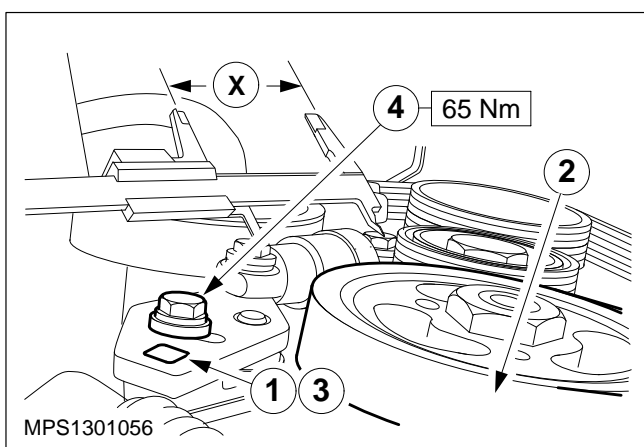


Drive Belt – Alternator (Diesel) – Remove And Install (31 413 0)



Remove

1. **Raise the vehicle.**
2. **Remove the alternator drive belt.**
 - 1 Slacken the belt tension adjuster locking bolt.
 - 2 Using a half inch square drive, rotate the belt tension adjuster fully anticlockwise.



Install

3. **Refit the drive belt.**
 - 1 Using a half inch square drive, rotate the belt tension adjuster until the distance X = 82mm.
 - 2 Rotate the belt tension adjuster in a clockwise direction.
 - 3 Refit the belt.
 - 4 Tighten the belt tension adjuster locking bolt.

4. Lower the vehicle.

5. Run-in the drive belt.

Run the engine for 10 minutes or drive the vehicle for at least 5 km (3 miles).

6. Raise the vehicle.

7. Check the alternator drive belt tension.

Repeat the procedure from operation 3.