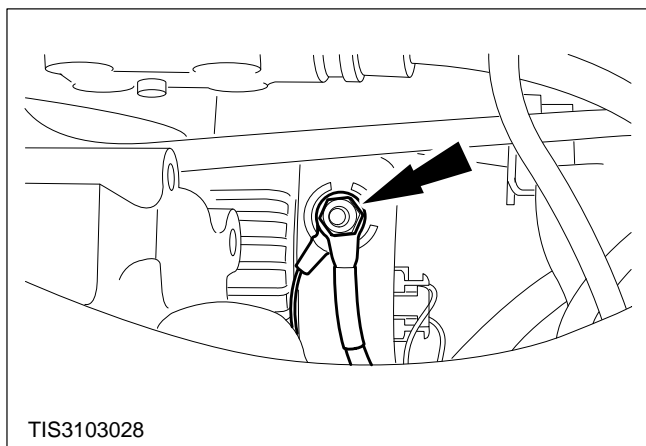


Alternator Assembly (Diesel) ('97¼ MY Onwards) – Remove And Install (31 414 0)

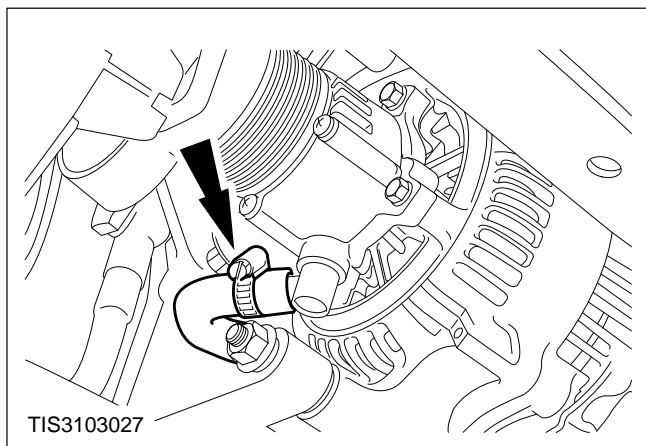
Remove

⚠ CAUTION: Disconnect the battery negative lead.

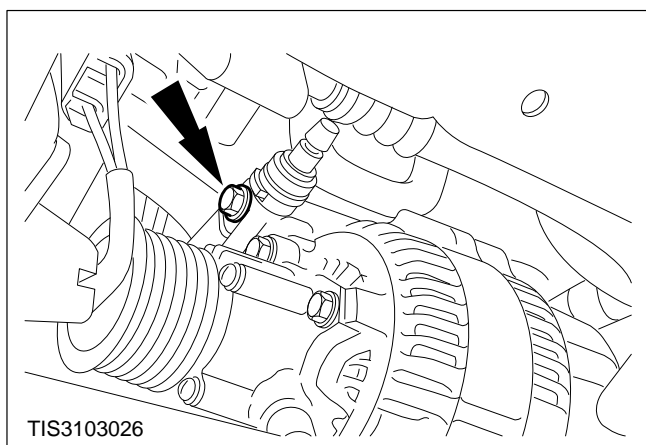
1. Disconnect the alternator wiring.
2. Raise the vehicle.
3. Remove the alternator drive belt (refer to Operation Number 12 414 0).

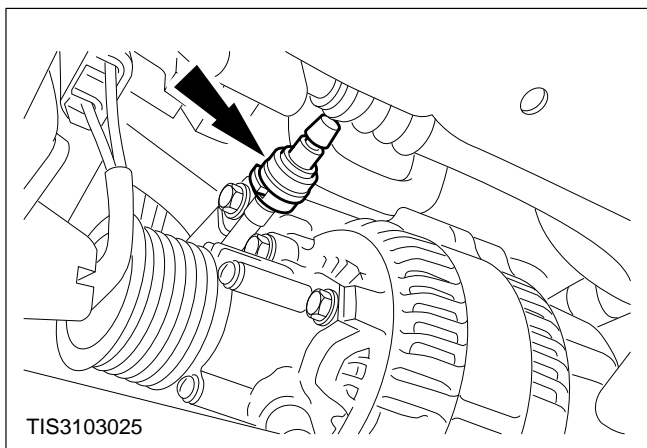


4. Disconnect the oil return hose.

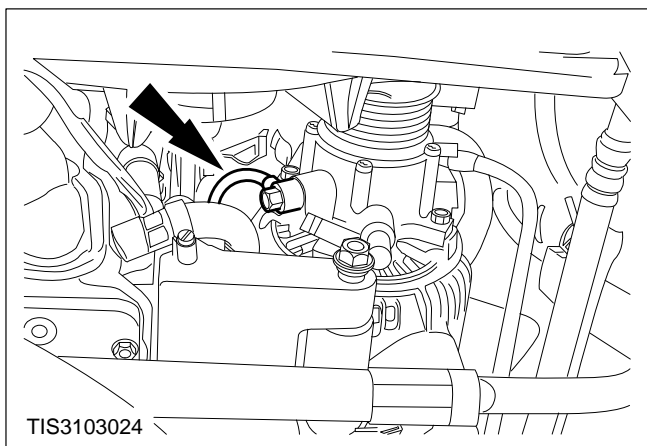


5. Remove the alternator upper retaining bolt.

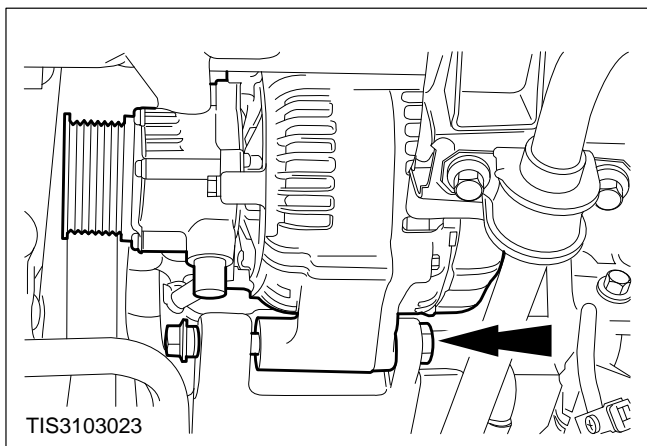




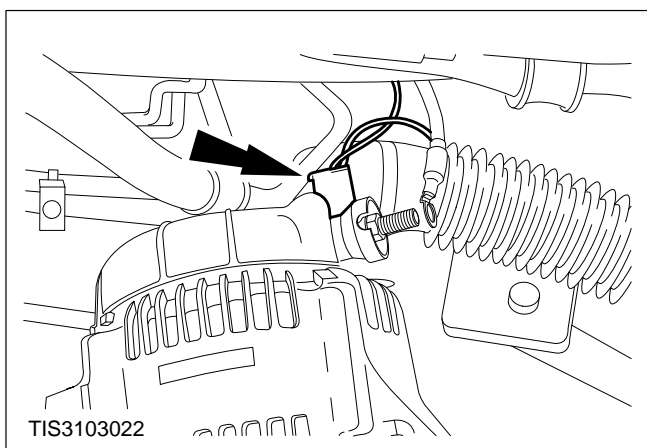
6. Disconnect the alternator brake pipe.



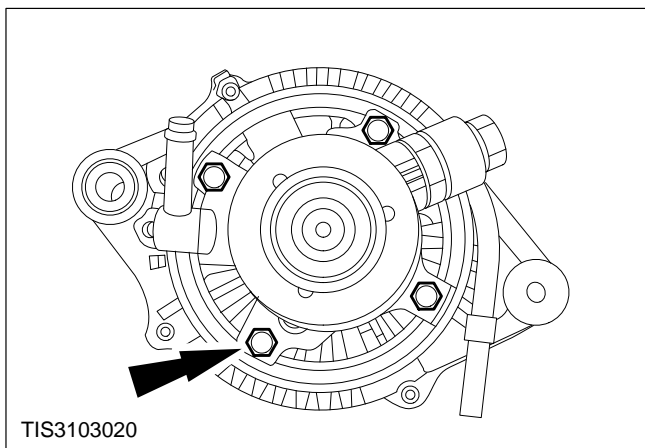
7. Disconnect the oil feed pump hose.



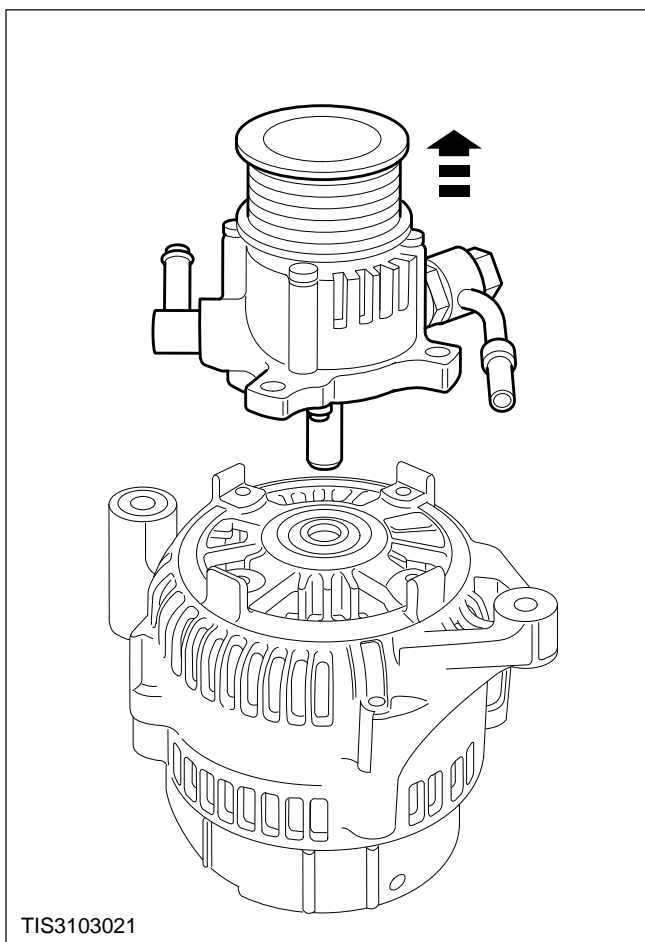
8. Remove the alternator lower retaining bolt and detach the alternator.



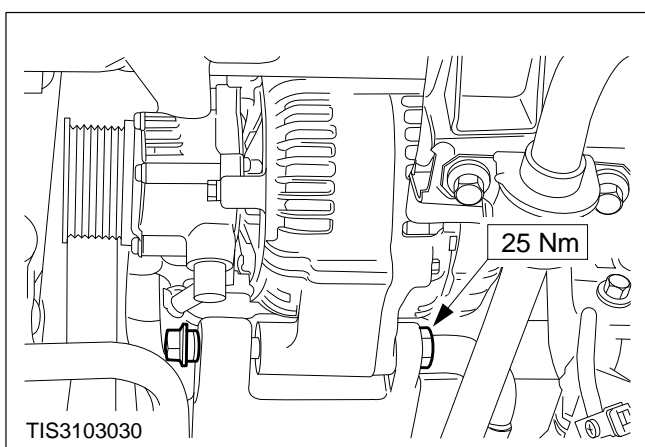
9. Disconnect the multiplug.



10. Remove the alternator exhaust retaining bolts.



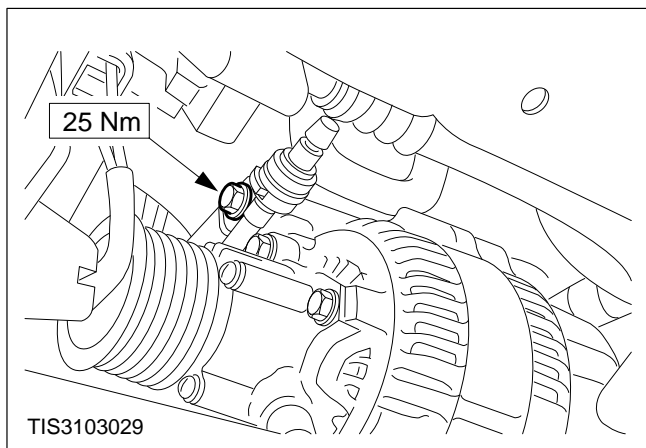
11. Remove the alternator exhaust.



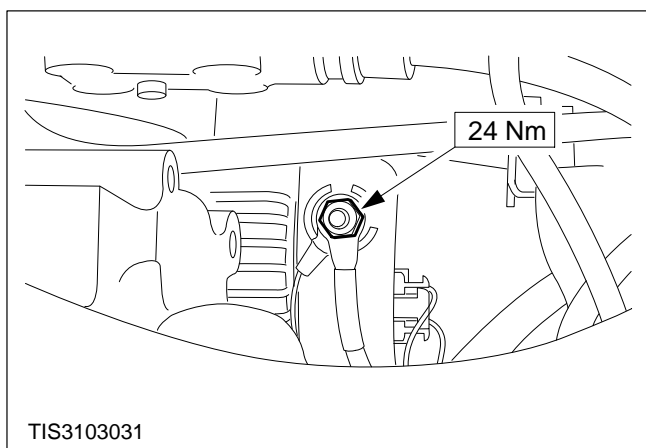
Install

12. Refit the alternator exhaust.

13. Refit the alternator lower retaining bolt.



14. Refit the alternator upper retaining bolt.



15. Connect the alternator wiring.

16. Refit the alternator drive belt (refer to Operation Number 31 413 0).