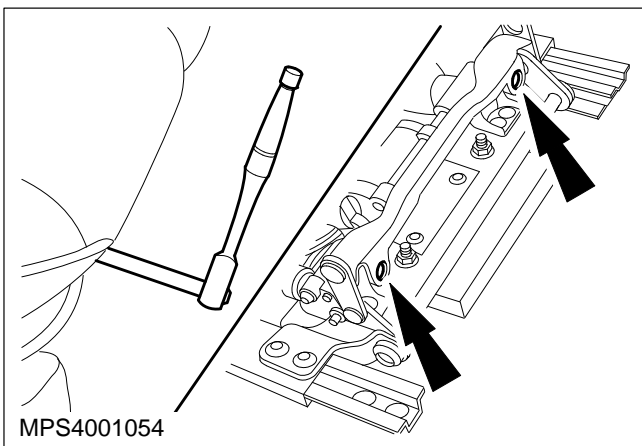
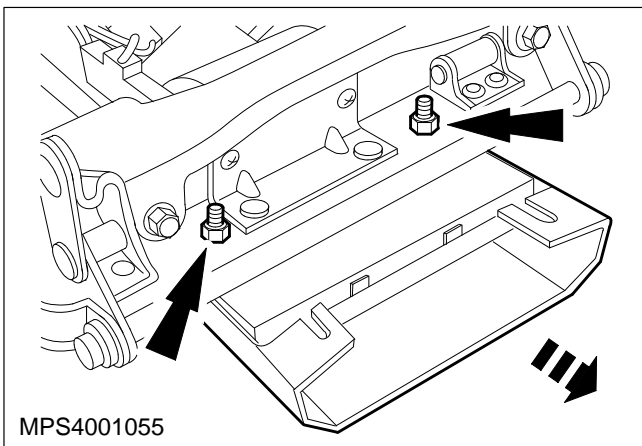
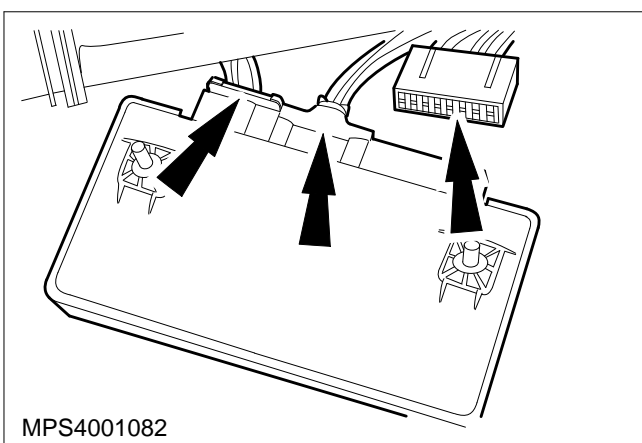


**Module – Multiplex (Seat) – Remove and Install (33 669 0)****Remove****1. Raise the seat.**

**⚠ CAUTION:** Disconnect the battery negative lead.

**2. Remove two bolts and tilt back the seat assembly.****3. Detach the multiplex module (two nuts).****4. Disconnect the three multiplugs and remove the module.**

Install

**5. Refit the components in reverse order.**