

Switch – Light – Remove and Install (33 514 0)

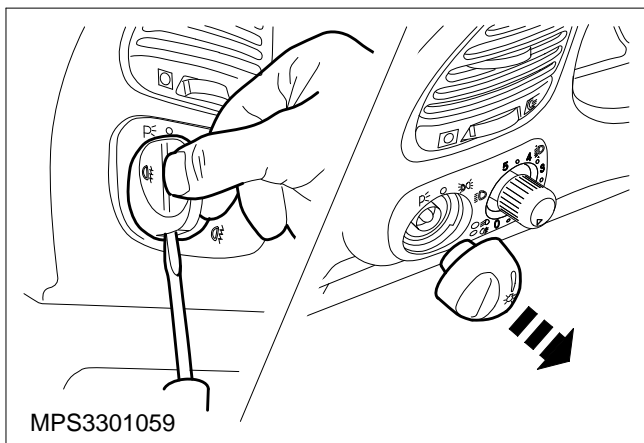
NOTE: The light switch is incorporated in one multifunction switch which includes the auxiliary/fog lamp switch and the rear fog lamp switch. The switch assembly cannot be separated.

Remove

⚠ CAUTION: Disconnect the battery negative lead.

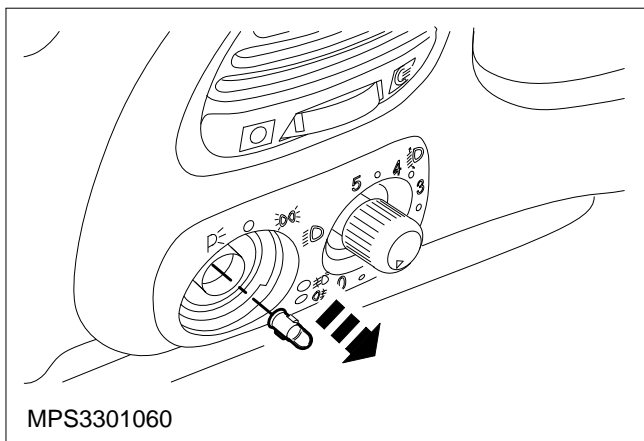
1. Remove the light switch knob.

Using a small screwdriver depress the locking detent and pull off the switch knob.



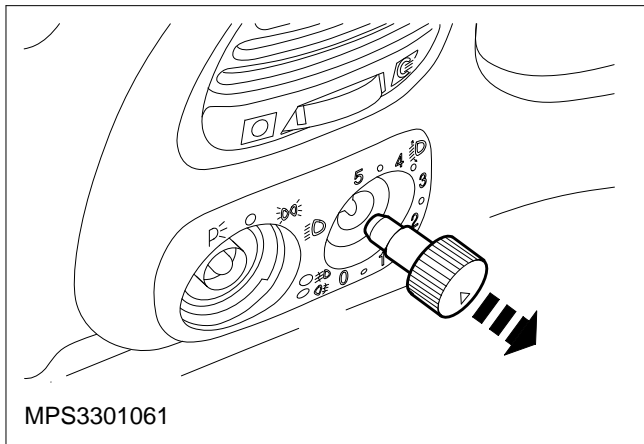
Bulb – Light Switch Illuminating (Switch Knob) – Remove (33 129 0)

2. Remove the bulb.

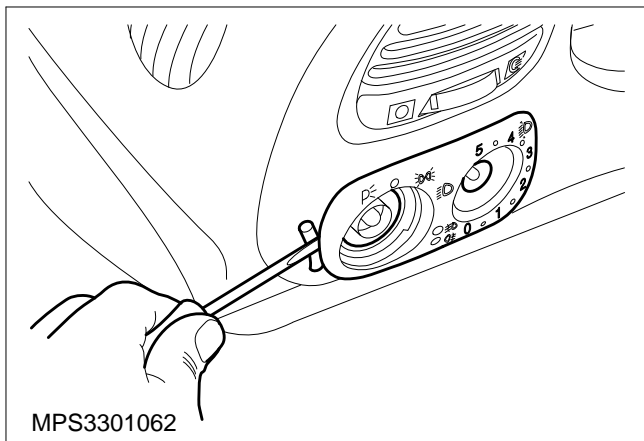


Bulb – Light Switch Illuminating (Switch Knob) – Install (33 129 0)

3. Refit the bulb.

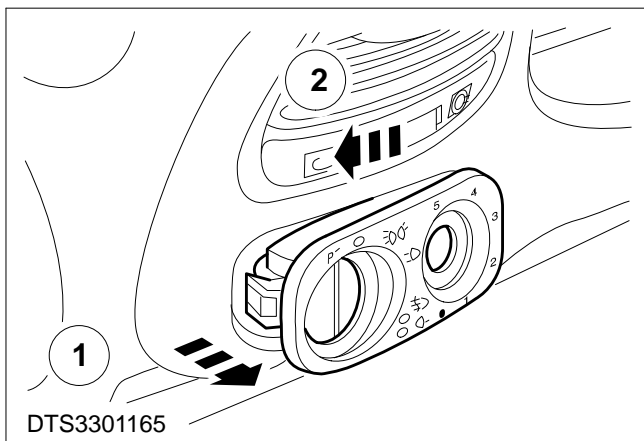


- 4. Remove the headlamp levelling switch knob (if fitted).**



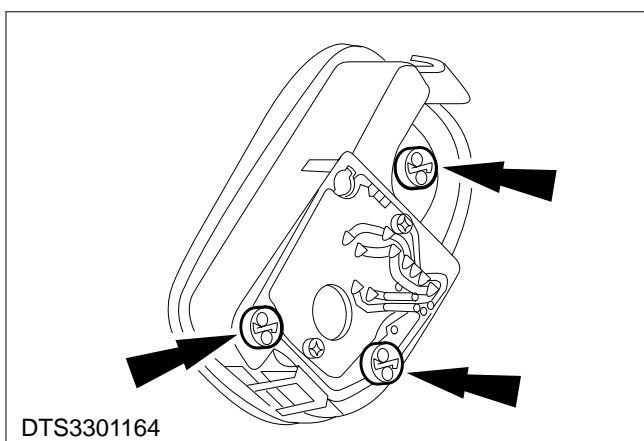
- 5. Prise out the switch bezel.**

- Prise out the bezel on the light switch side only.
- Use a pad between the screwdriver and surround to prevent damage.



- 6. Remove the switch bezel.**

- 1 Pull out the light switch side of the bezel.
- 2 Slide the bezel sideways and remove.



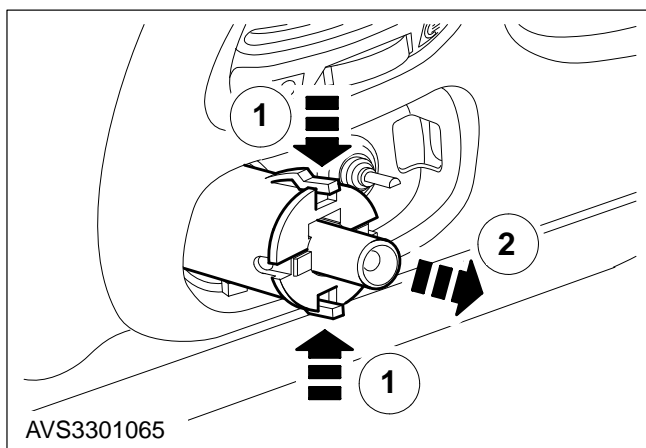
Bulb – Light Switch Illuminating (Bezel) – Remove (33 129 0)

- 7. Remove the appropriate bulb.**

Twist the bulb/holder anticlockwise to remove.

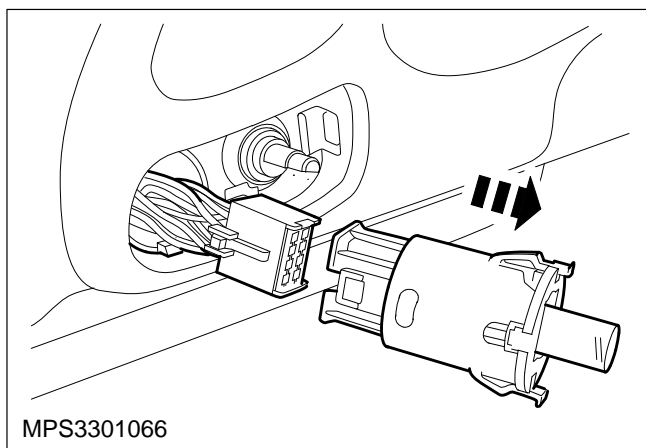
**Bulb – Light Switch Illuminating (Bezel)
– Install (33 129 0)**

8. Refit the bulb.



9. Detach the light switch.

- 1 Depress the retaining lugs.
- 2 Pull out the switch.



10. Disconnect the multiplug and remove the light switch.

Install

11. Refit the components in reverse order.