

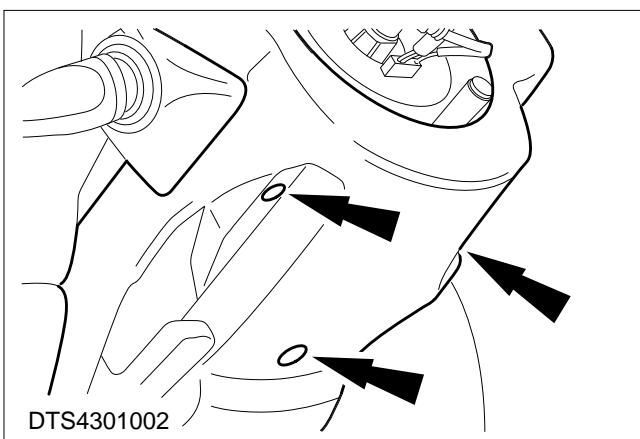
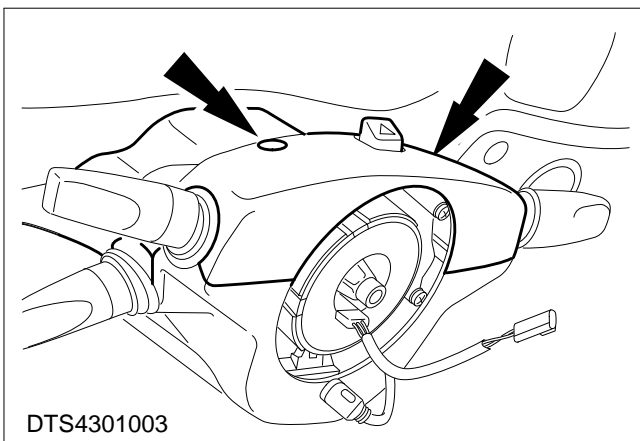
Switch – Multifunction (Steering Column) – Remove And Install 33 612 0

NOTE: There are two multifunction switches fitted to the steering column. The left-hand multifunction switch comprises the dipper switch direction indicator switch and the hazard flasher switch. The right-hand multifunction switch comprises the wiper delay control switch, windscreen washer switch, headlamp washer switch and the rear wash/wiper switch.

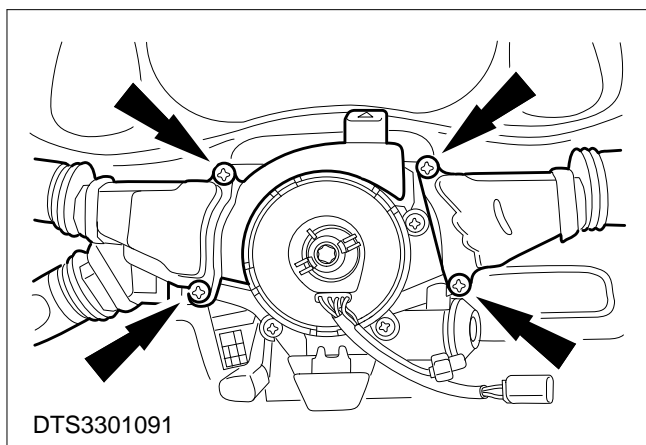
Remove

⚠ CAUTION: Disconnect the battery negative lead.

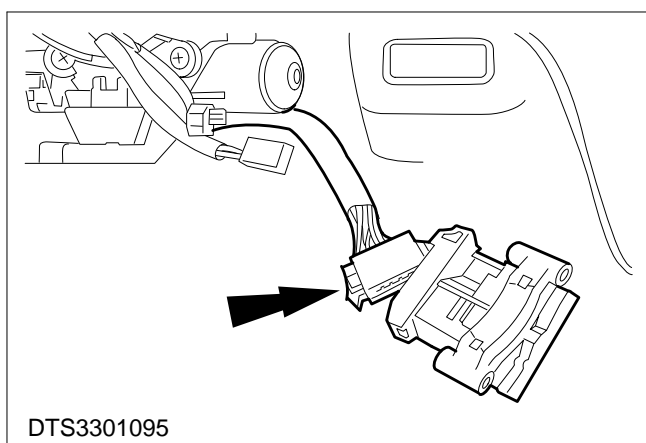
1. Remove the steering wheel (refer to Operation Number 13 524 0).
2. Remove the upper steering column shroud (two screws).



3. Remove the lower steering column shroud (three screws).



4. Detach the appropriate switch (two screws).



5. Disconnect the multiplug and remove the multifunction switch assembly (right-hand multifunction switch assembly shown).

Install

6. Refit the components in reverse order.