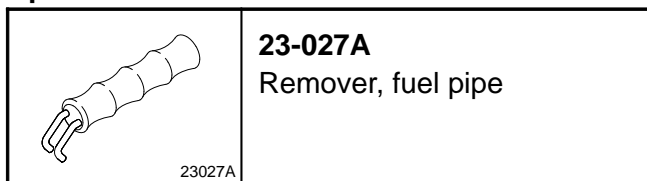



Fuel Pressure Regulator – Remove and Install (23 266 0)


Special Tools



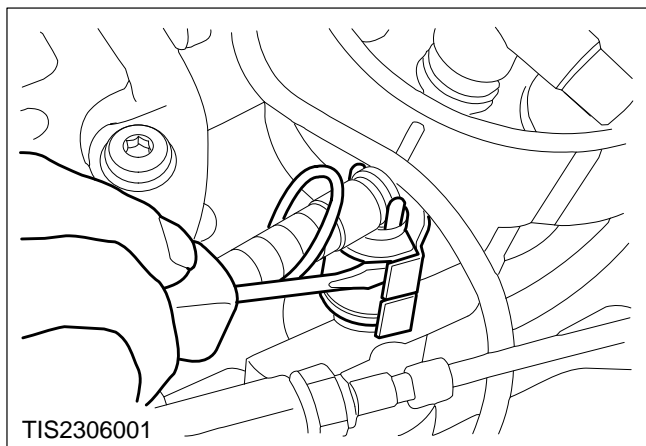
 **WARNING:** This procedure involves fuel handling. Be prepared for fuel spillage at all times and always observe fuel handling precautions.

Remove

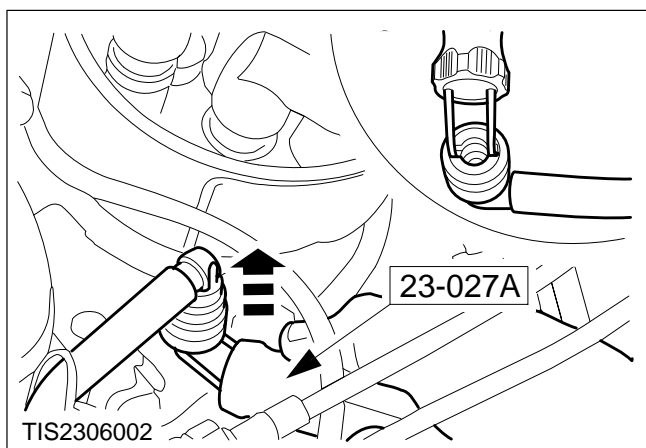
1. Remove the fuel pump fuse and crank the engine to depressurise the fuel system.
2. Refit the fuel pump fuse.

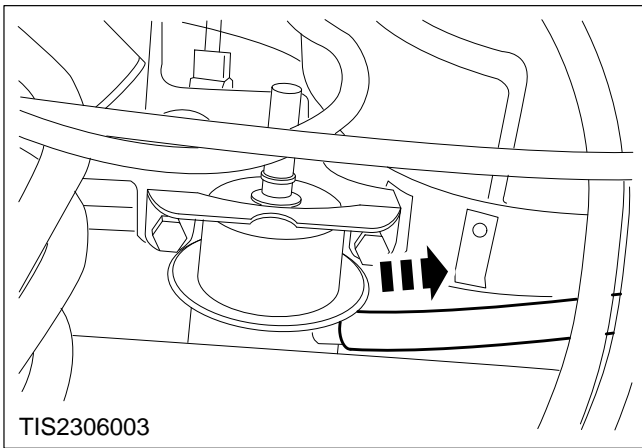
 **CAUTION:** Disconnect the battery negative lead.

3. Remove the fuel return pipe safety collar.

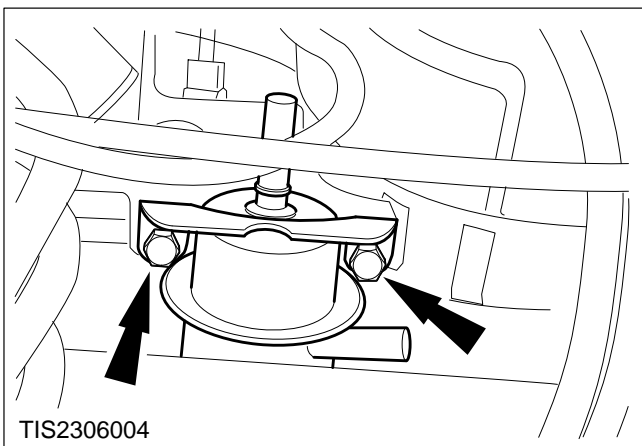


4. Disconnect the fuel return pipe from the fuel pressure regulator.

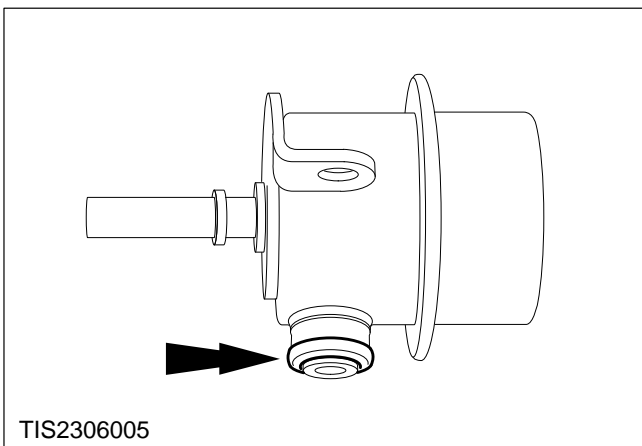




5. Disconnect the vacuum pipe from the fuel pressure regulator.



6. Remove the fuel pressure regulator (two bolts).



Install

7. Refit the components in reverse order.
 - Renew the fuel pressure regulator O-ring seal.
 - Lubricate the fuel pressure regulator O-ring seal with clean engine oil to aid installation.