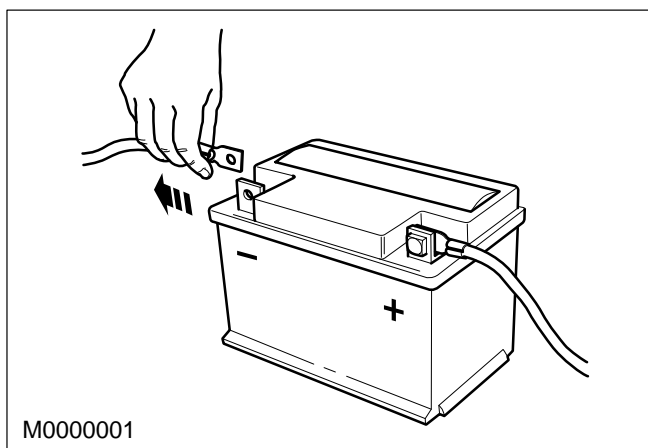
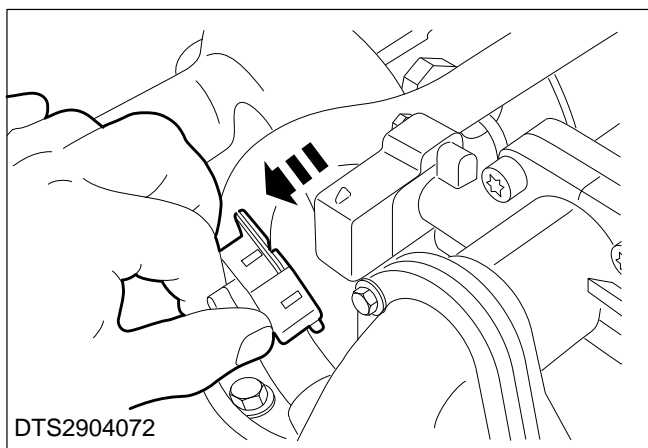


Fuel Injectors – Remove and Install (23 455 0)

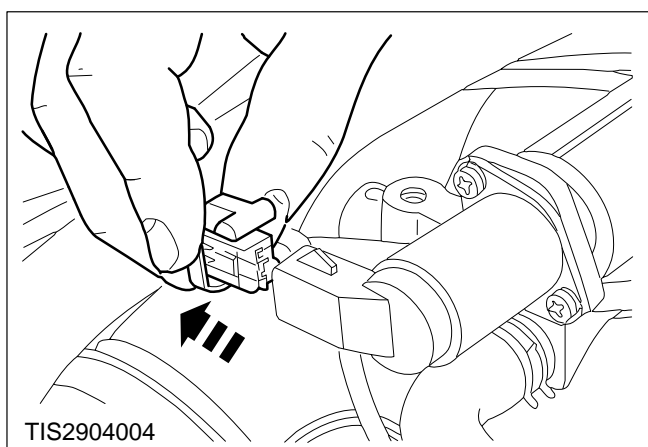


Remove

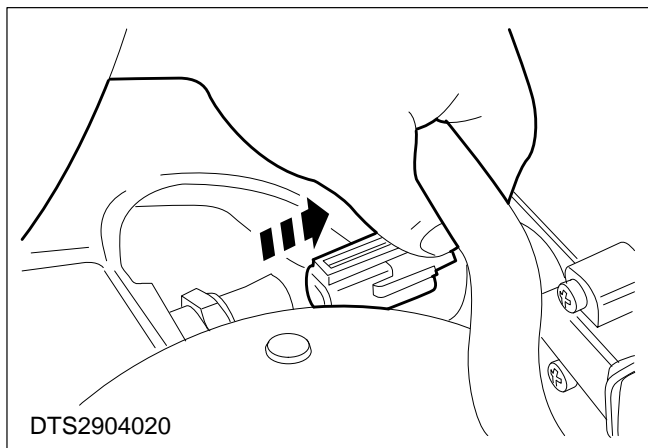
1. De-pressurise the fuel system by removing the fuel pump fuse, starting the engine and waiting until it stops.
2. Disconnect the battery earth lead.
3. Remove the VIS actuator (refer to Operation Number 23 400 0).



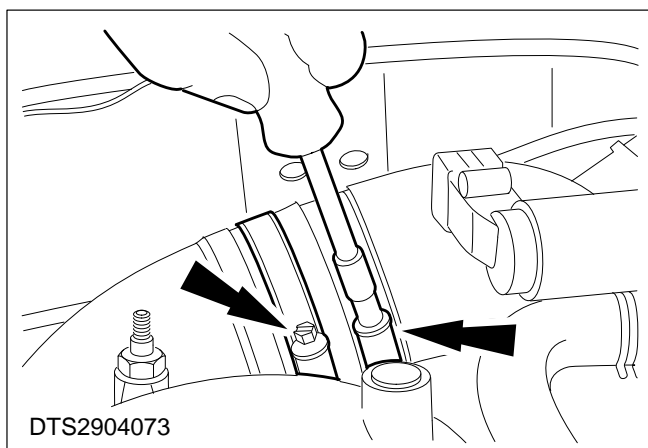
4. Disconnect the TP sensor multiplug.



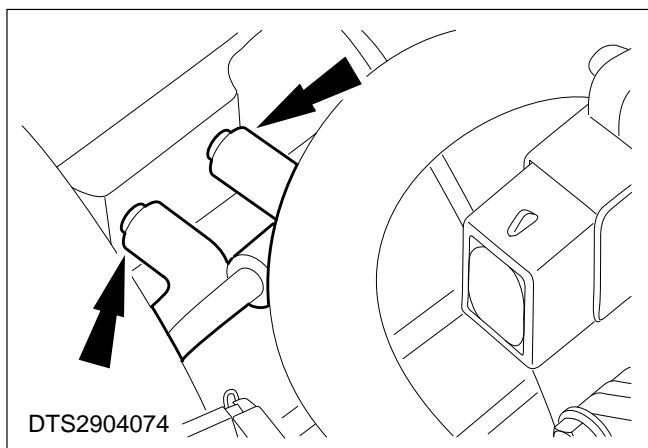
5. Disconnect the IAC valve multiplug.



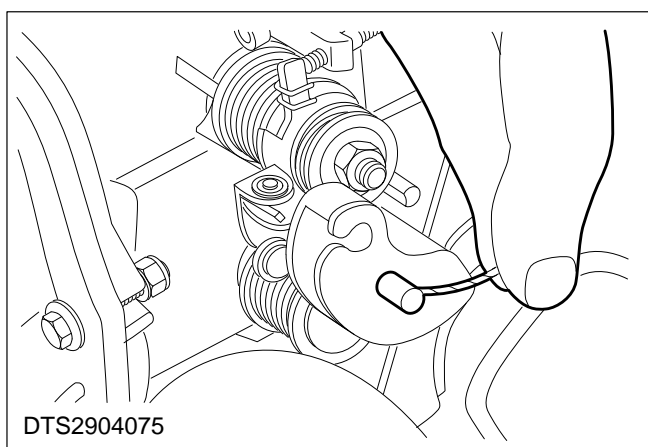
6. Disconnect the IAT sensor multiplug.



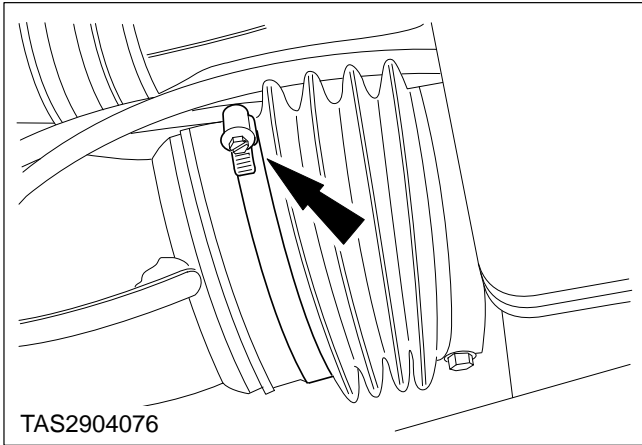
7. Slacken the connecting sleeve clips.



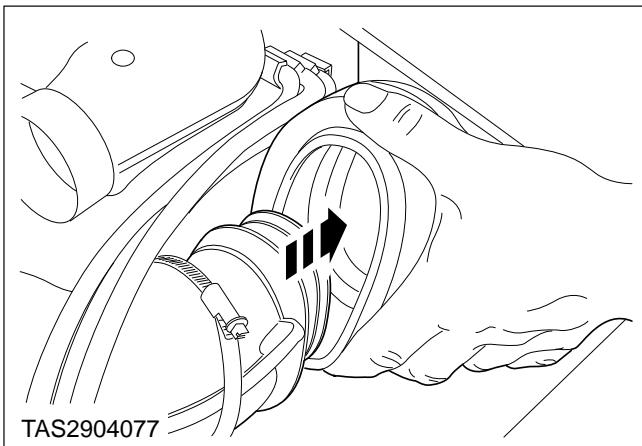
8. Disconnect the vacuum pipes.



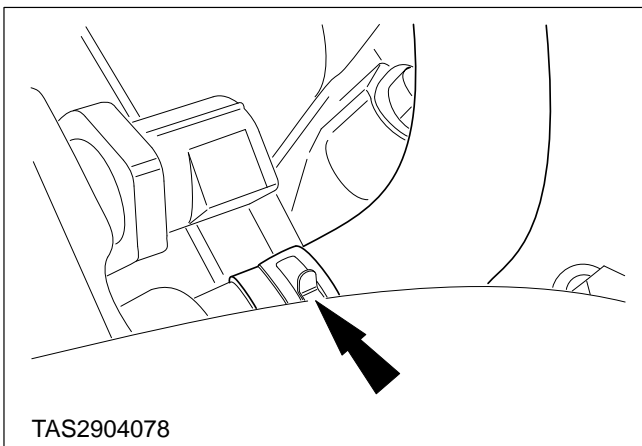
9. Disconnect the accelerator cable (and speed control system cable if fitted) from the quadrant.



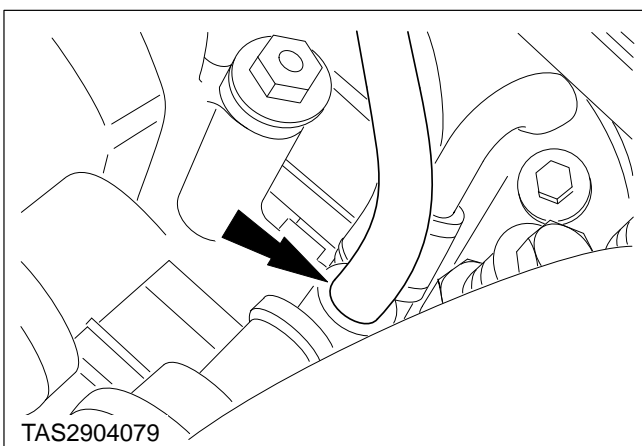
10. Slacken the hose clip on the inlet ducting.



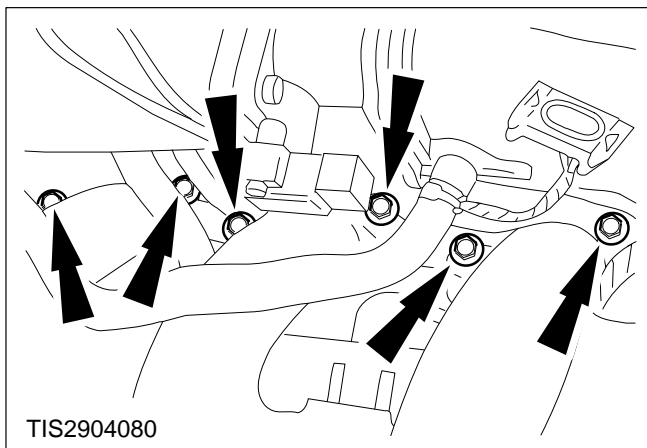
11. Disconnect the resonator from the inlet ducting.



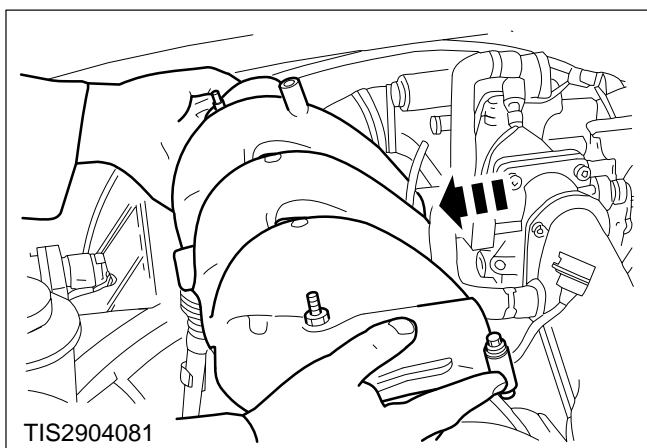
12. Disconnect the breather pipe.



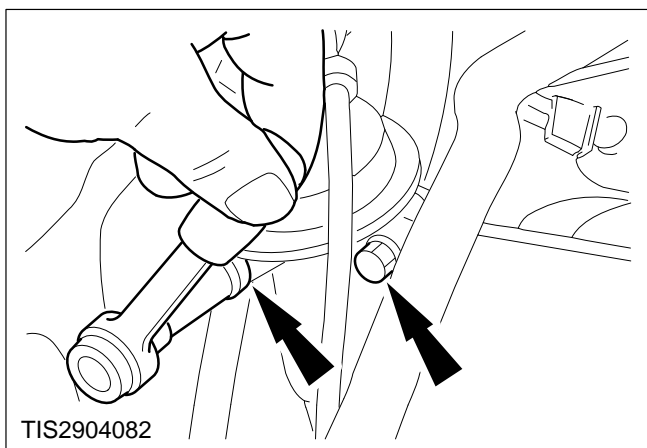
13. Disconnect the vacuum pipe.



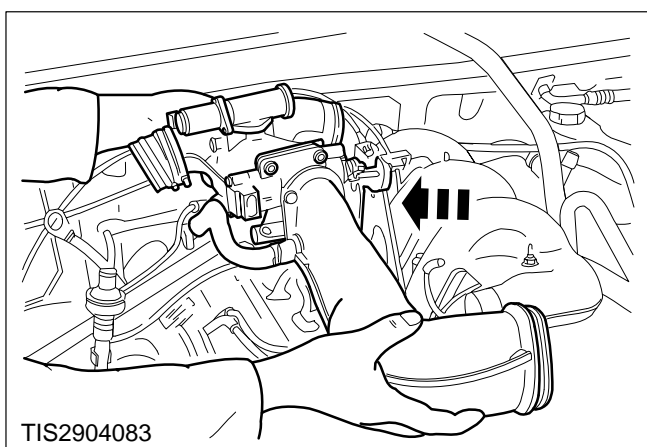
14. Remove the plenum bolts.



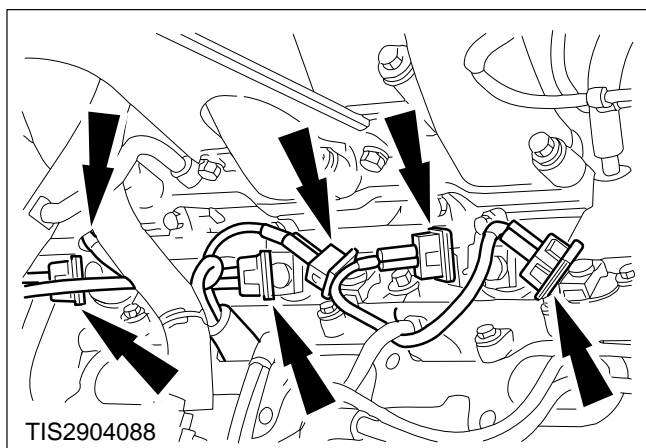
15. Lift the plenum section off the engine.



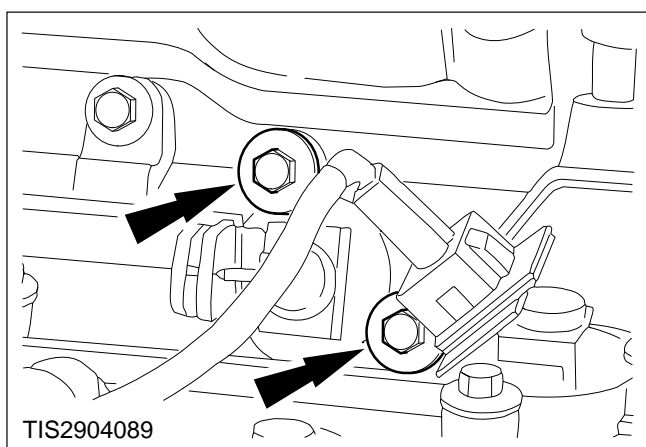
16. Remove the EGR valve bolts.



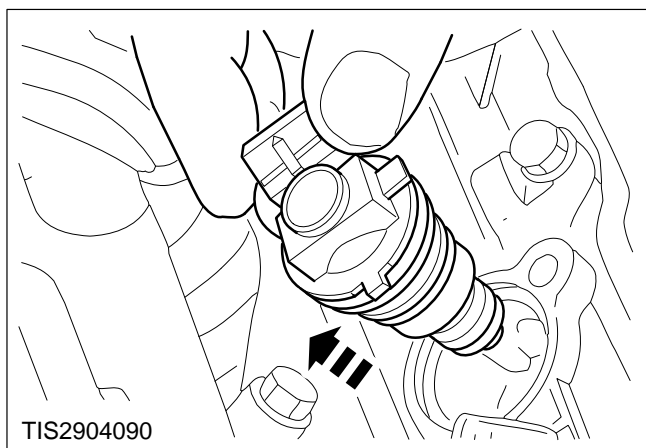
17. Lift the plenum centre section, complete with throttle body housing, off the engine.



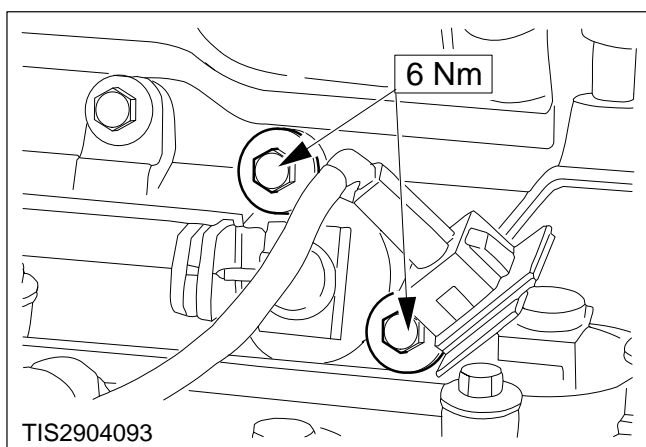
18. Disconnect the multiplugs.



19. Remove the bolts.



20. Remove the injectors from the rail.



Install

NOTE: After installation, start the engine and check the fuel system for leaks. Rectify as necessary.

21. Refit the components in reverse order.

Lightly lubricate the seals with clean engine oil prior to installation.