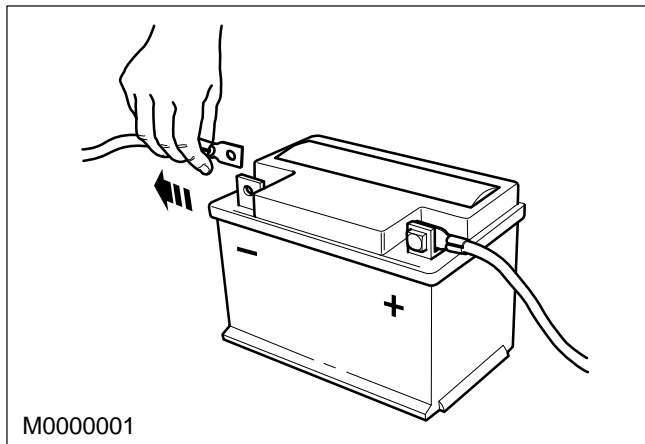
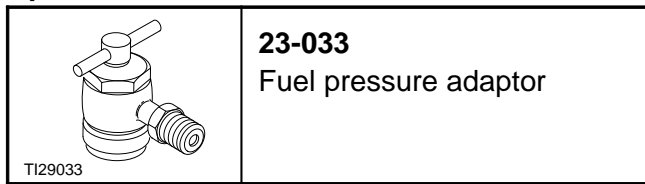


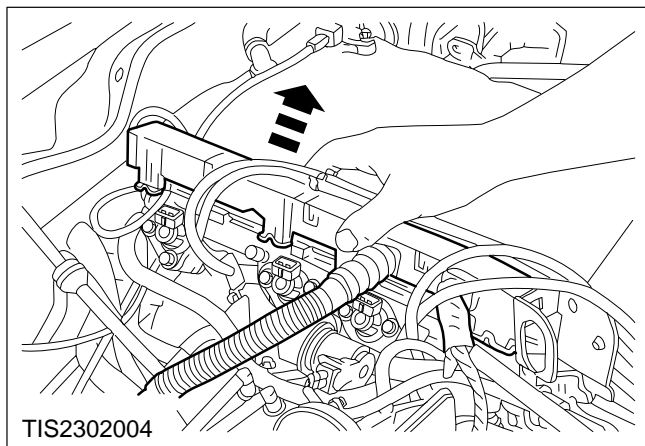
Fuel Injectors – Remove and Install (23 455 0)

Special Tools

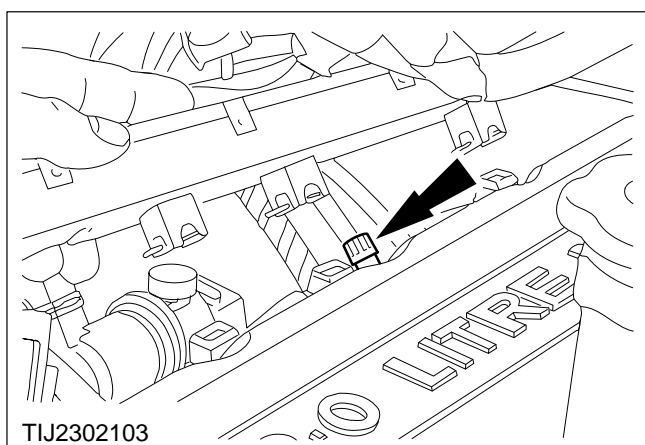


Remove

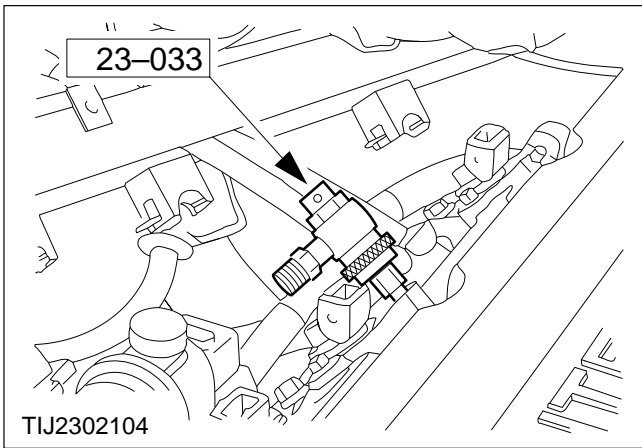
1. Disconnect the battery earth lead.



2. Disconnect the fuel injector multiplugs.

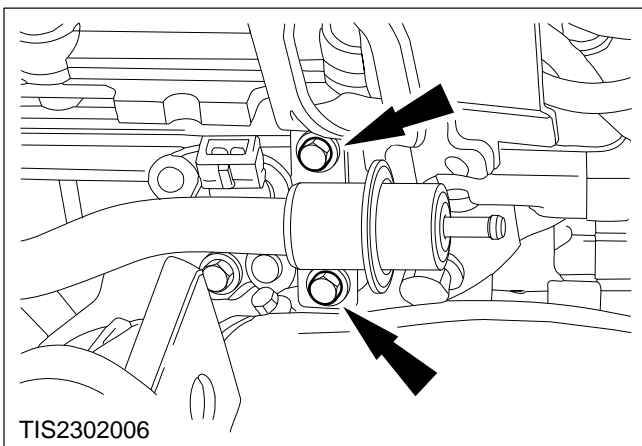


3. Remove the valve cap.

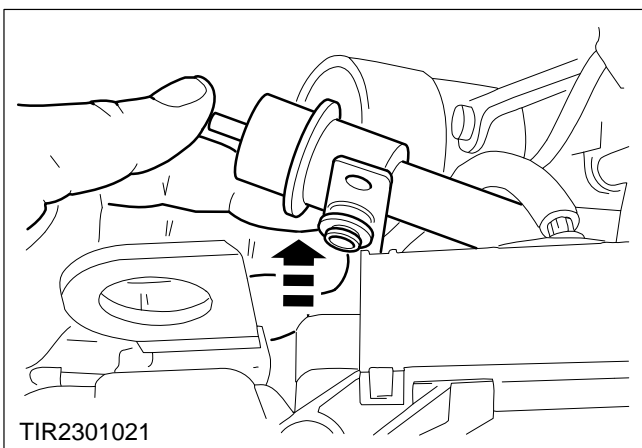


⚠ WARNING: Ensure that the tap on the tool is turned fully anti-clockwise before fitting and be prepared for some fuel spillage. Observe fuel handling precautions.

4. Fit the tool and release the fuel rail pressure.
5. Remove the tool and refit the valve cap.

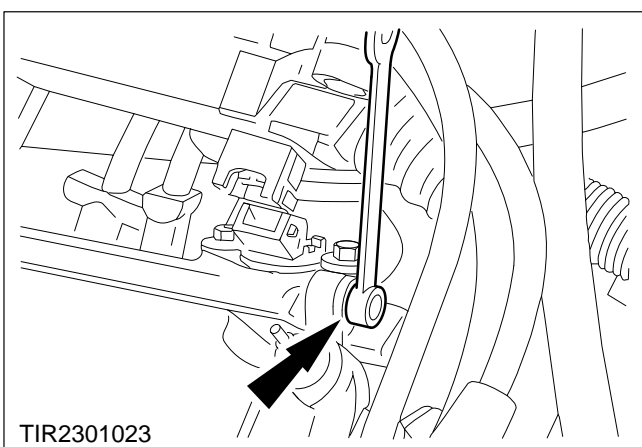


6. Unscrew the fuel pressure regulator retaining bolts.

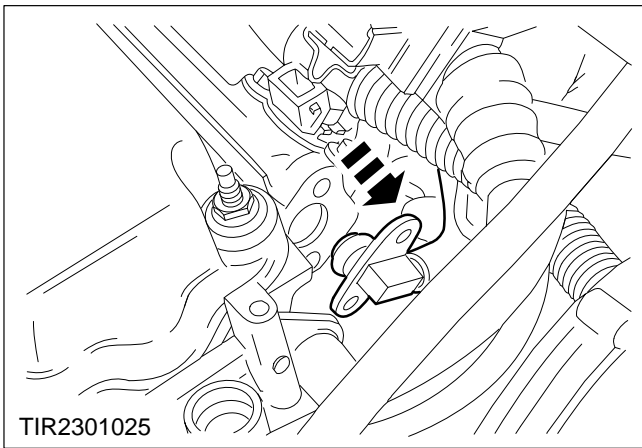


⚠ WARNING: Be prepared for some fuel spillage. Observe fuel handling precautions.

7. Disconnect the fuel pressure regulator from the fuel rail.

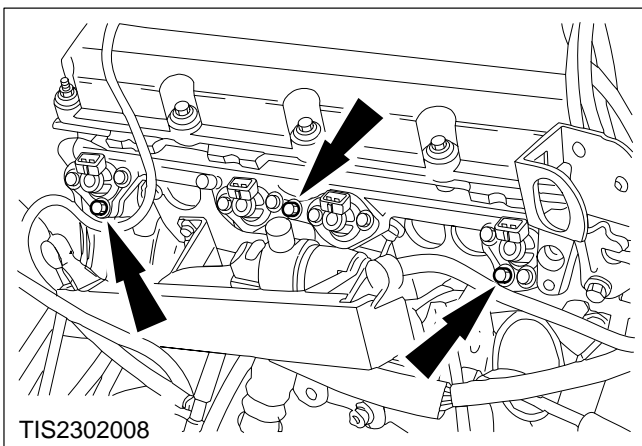


8. Unscrew the fuel hose union retaining bolts.

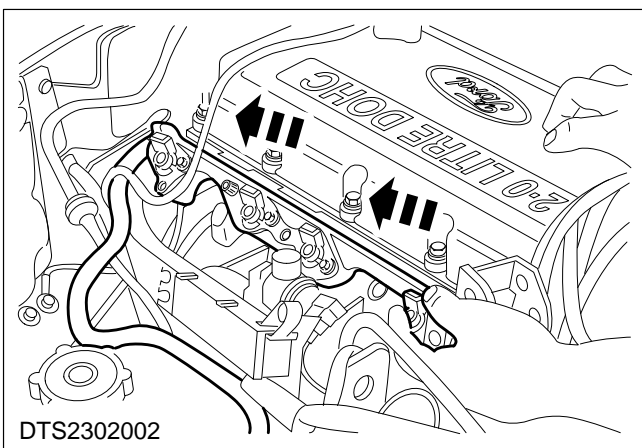


⚠ WARNING: Be prepared for some fuel spillage. Observe fuel handling precautions.

9. Disconnect the fuel hose union from the fuel rail.

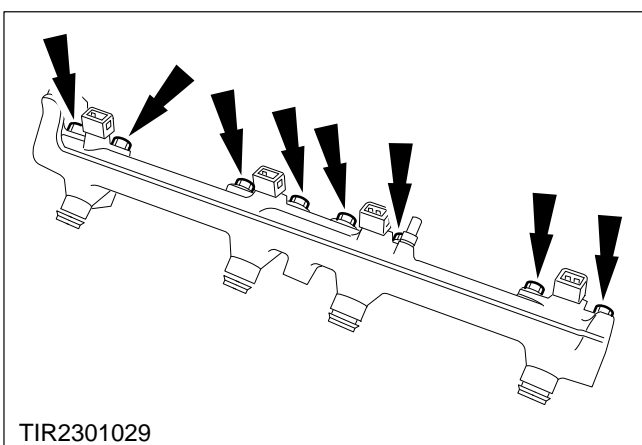


10. Unscrew the fuel rail retaining bolts.

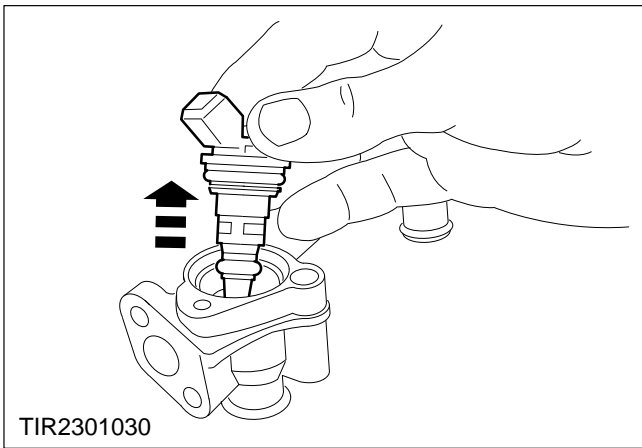


⚠ WARNING: Be prepared for some fuel spillage. Observe fuel handling precautions.

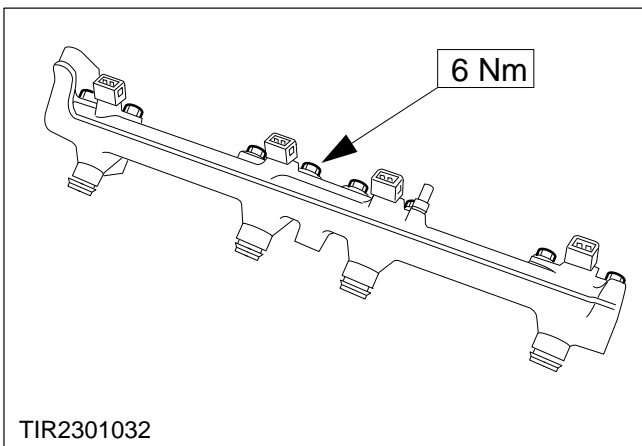
11. Remove the fuel rail.



12. Unscrew the fuel injector retaining bolts.



13. Remove the fuel injectors.



Install

14. Refit the components in reverse order.

- 1 Fit new upper and lower injector seals.
- 2 Lightly lubricate the injector seals with clean engine oil before refitting.

