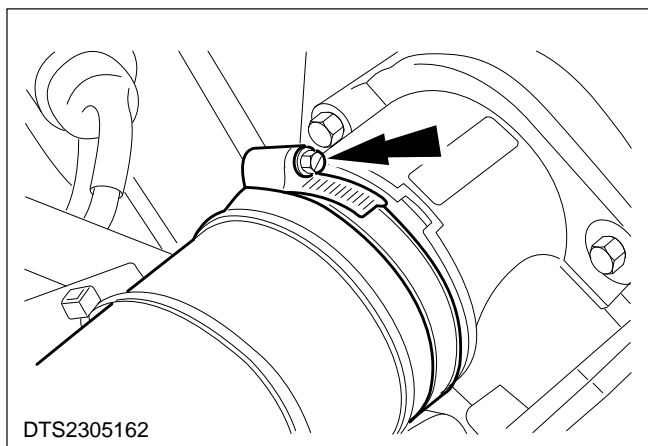
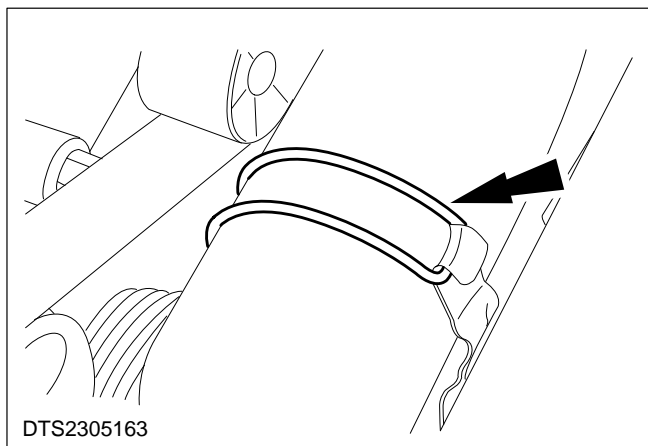
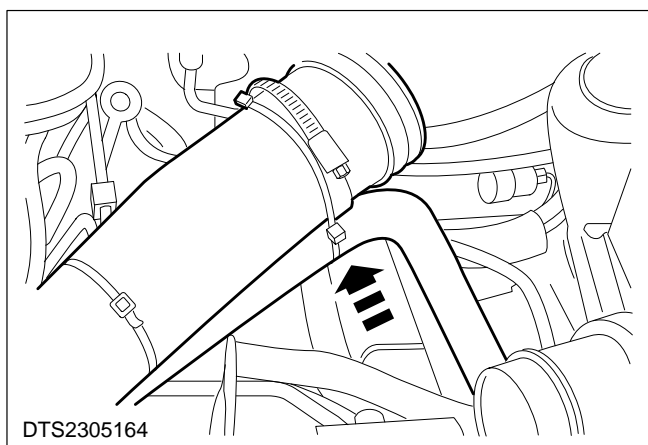


**Air Cleaner Assembly (Diesel Variants 97¼ MY onwards) – Remove And Install  
(23 174 0)****Remove**

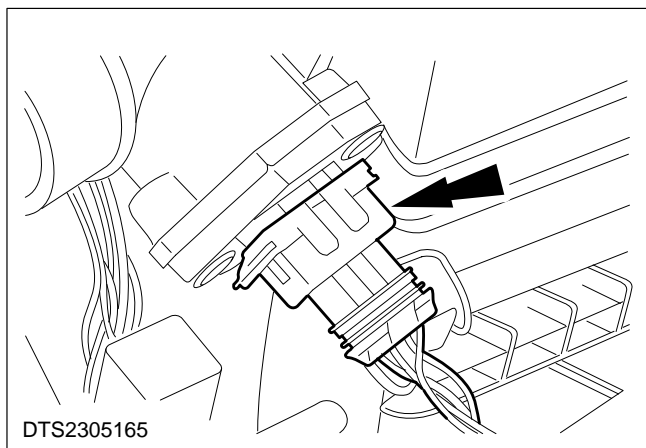
- 1. Disconnect the air cleaner outlet tube from the mass air flow sensor.**



- 2. Remove the air cleaner outlet tube retaining band.**



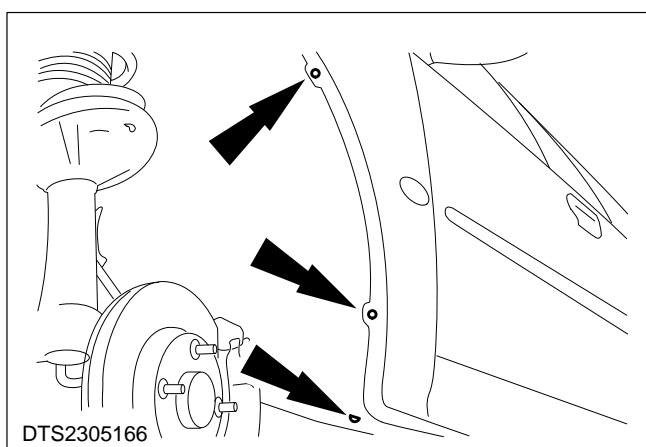
- 3. Position the air cleaner outlet tube to one side.**



4. Disconnect the mass air flow sensor electrical connector.

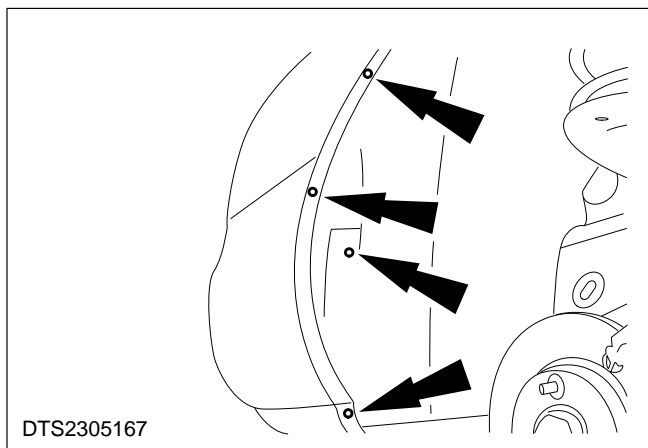
5. Raise and support the vehicle.

6. Remove the road wheel.



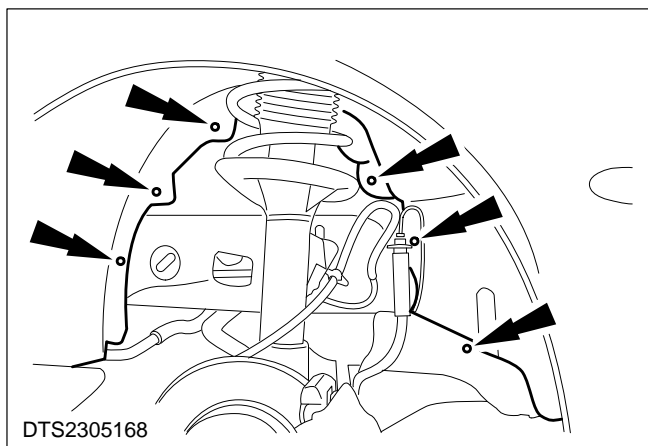
7. Remove the front fender splash shield.

- Remove the three rear retainers.



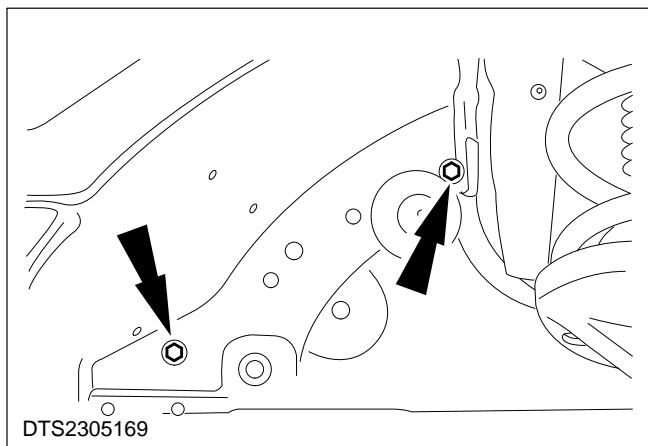
**8. Remove the front fender splash shield (continued).**

- Remove the four front retainers.



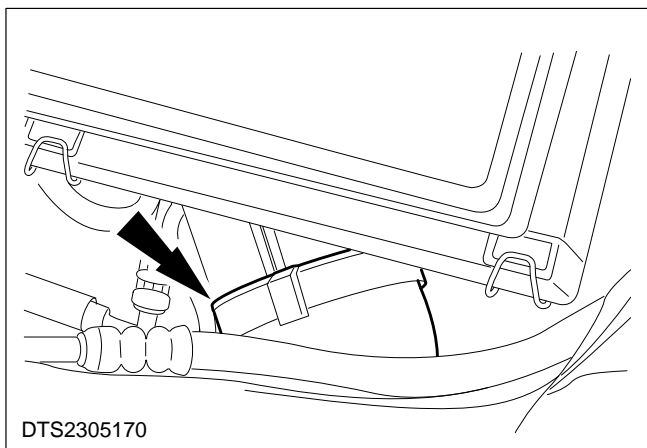
**9. Remove the front fender splash shield (continued).**

- Remove the six inner retainers.



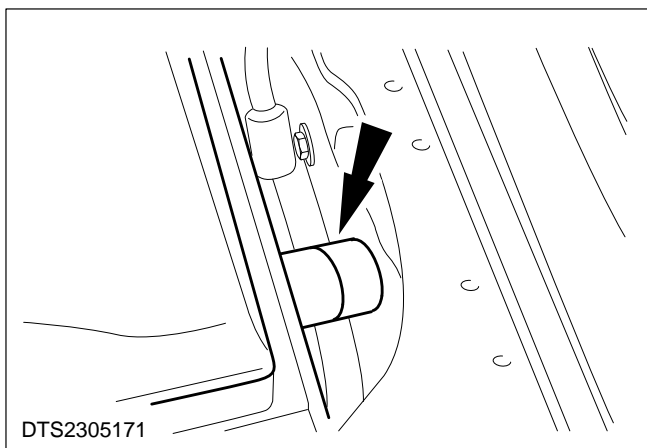
**10. Remove the air cleaner retaining nuts.**

**11. Lower the vehicle.**



**12. Disconnect the air cleaner inlet tube.**

**13. Remove the air cleaner.**



**Install**

**NOTE:** Make sure that the air cleaner locating peg fits correctly in the locating hole inner fender.

**14. To install, reverse the removal procedure.**