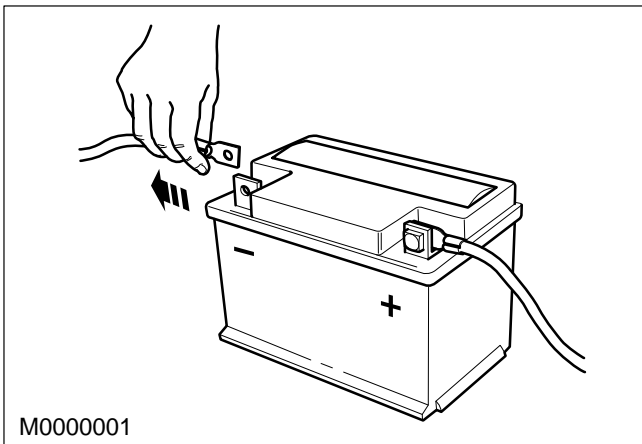
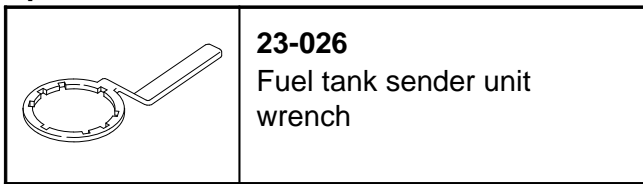


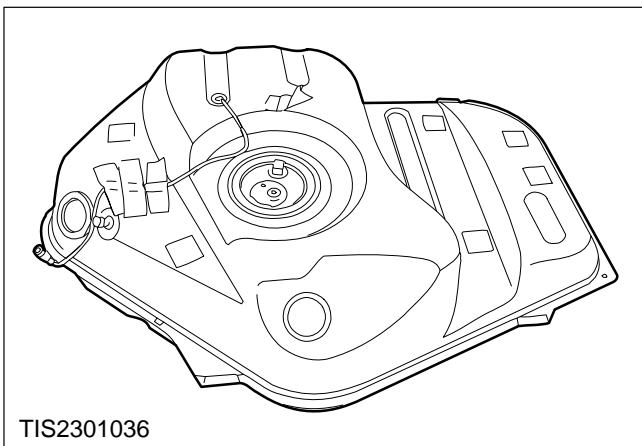
Fuel Pump (Petrol Variants) – Remove and Install (23 534 0)

Special Tools

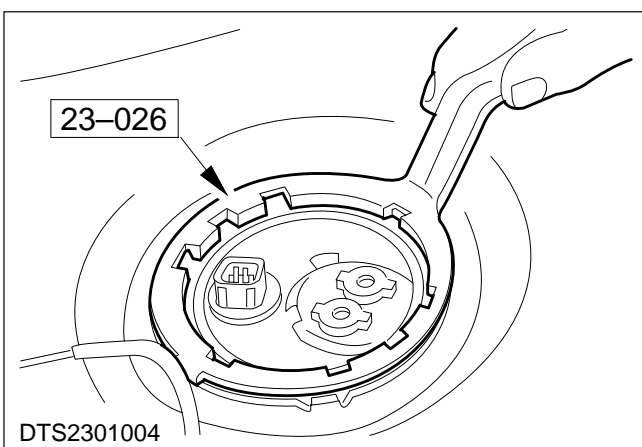


Remove

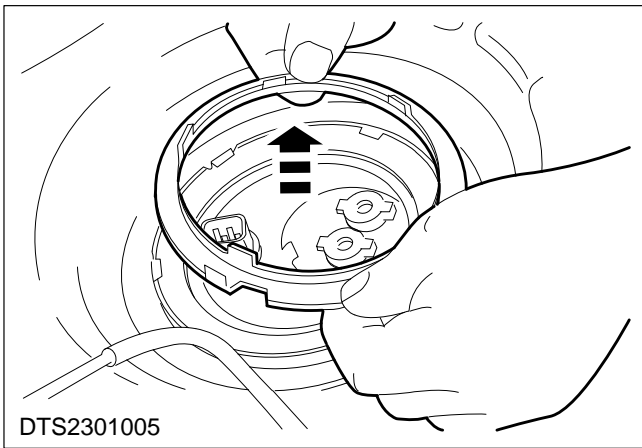
1. Disconnect the battery earth lead.



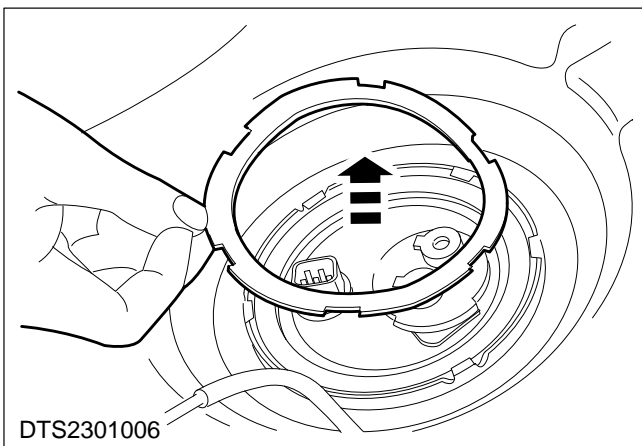
2. Remove the fuel tank (refer to Operation No. 23 554 0).



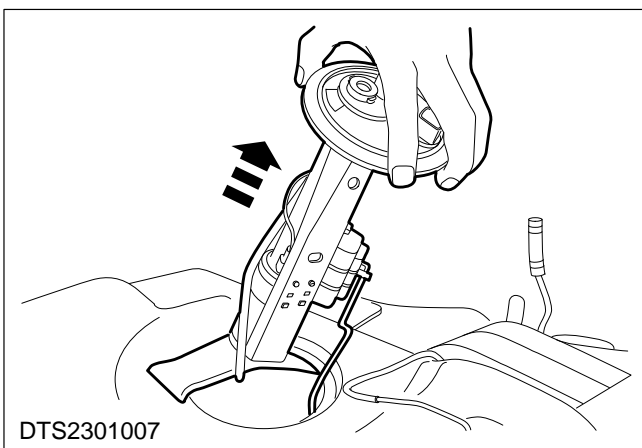
3. Release the fuel pump/sender unit locking ring.



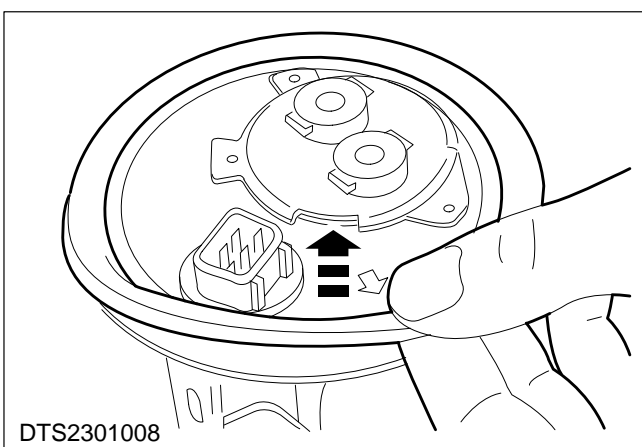
4. Remove the fuel pump/sender unit locking ring.



5. Remove the fuel pump/sender unit locking ring insulator.



6. Remove the fuel pump/sender unit.



Install

7. Refit the components in reverse order.

Always use a new fuel pump/sender unit seal; do not attempt to use the old one.