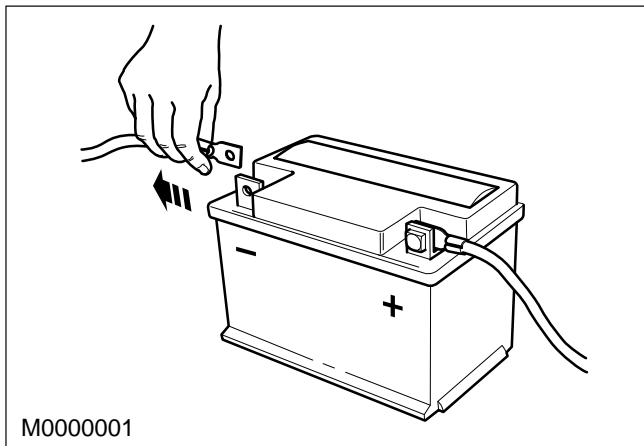
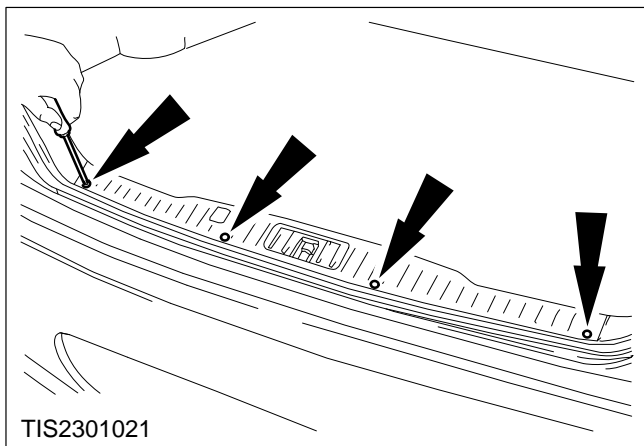


## Switch – Fuel Shut Off – Remove and Install (33 577 0)

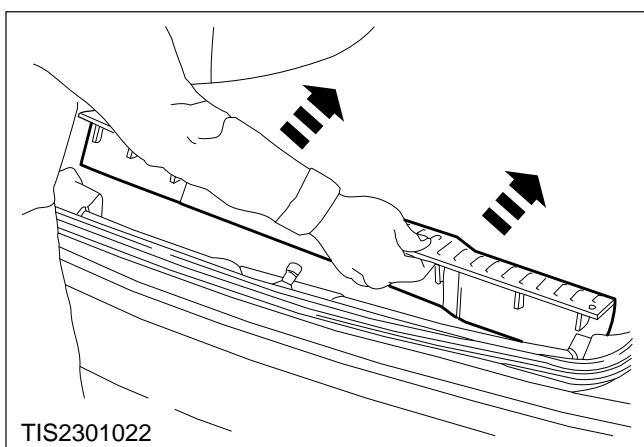


Remove

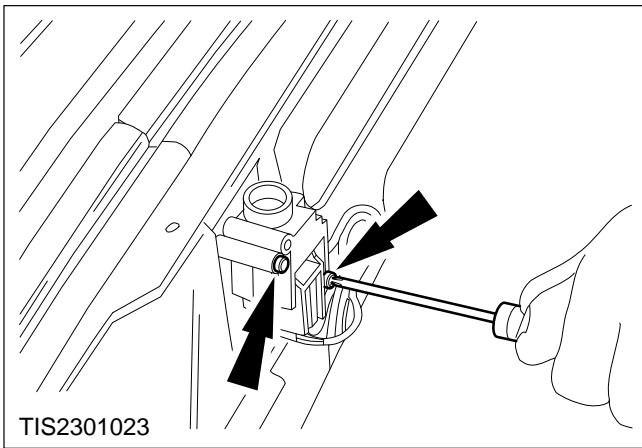
1. Disconnect the battery earth lead.



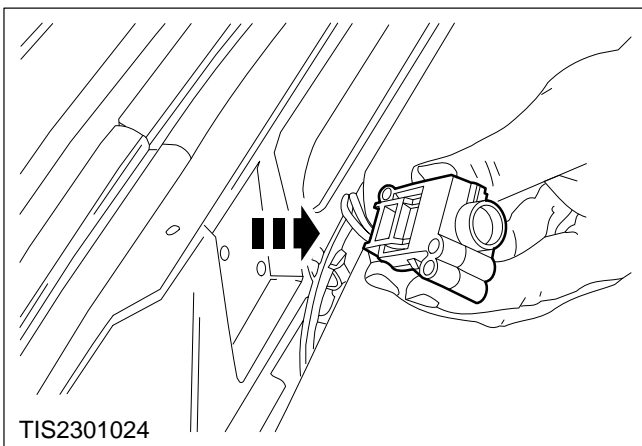
2. Unscrew the trim panel retaining screws.



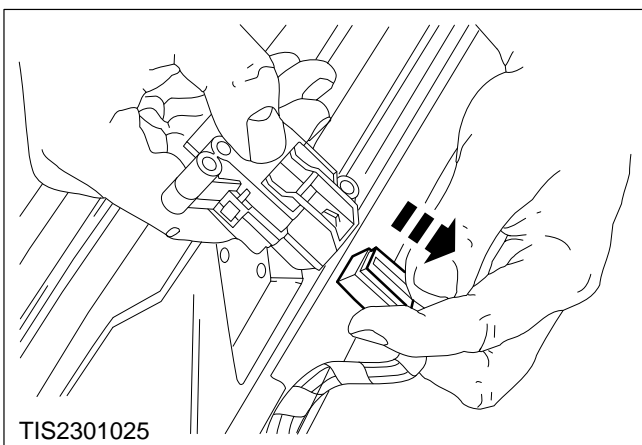
3. Remove the trim panel.



4. **Unscrew the fuel shut off switch retaining screws.**



5. **Remove the fuel shut off switch from the rear panel.**



**⚠ CAUTION:** Do not pull on the wiring; pull on the multiplug body.

6. **Disconnect the multiplug and remove the fuel shut off switch.**

Install

7. **Refit the components in reverse order.**