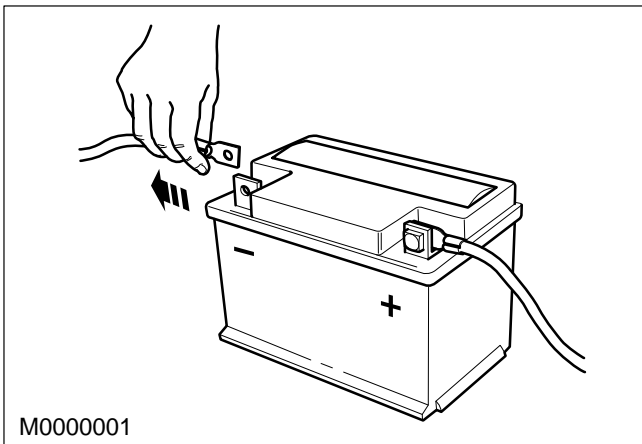


Fuel Tank – Remove and Install (23 554 0)

Proprietary Tools

Fuel tank draining equipment

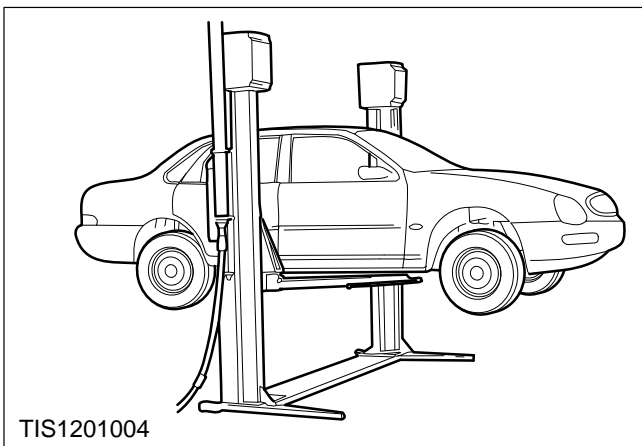


Remove

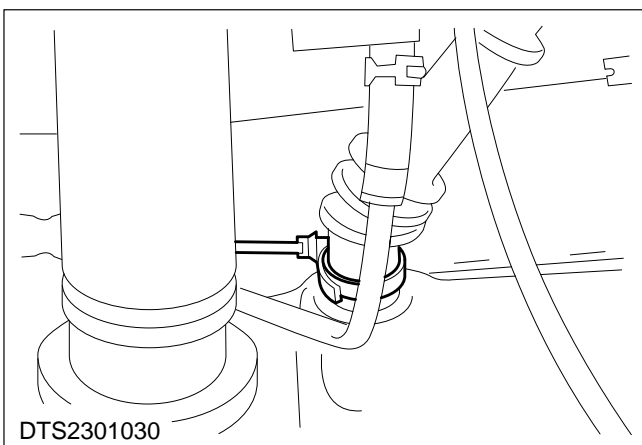
1. Disconnect the battery earth lead.

⚠ WARNING: Observe fuel handling precautions.

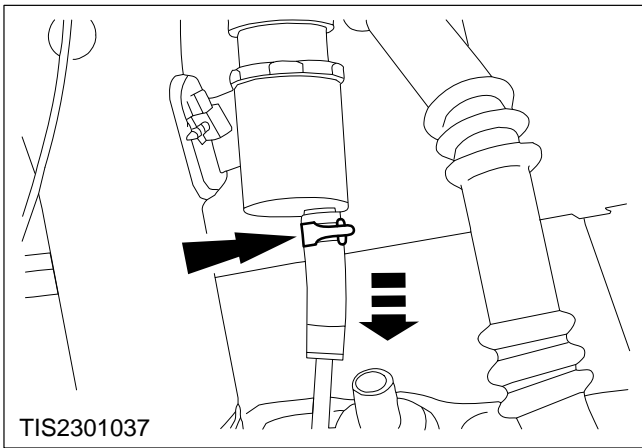
2. Drain the fuel tank using proprietary tank draining equipment. Follow the manufacturer's instructions carefully.



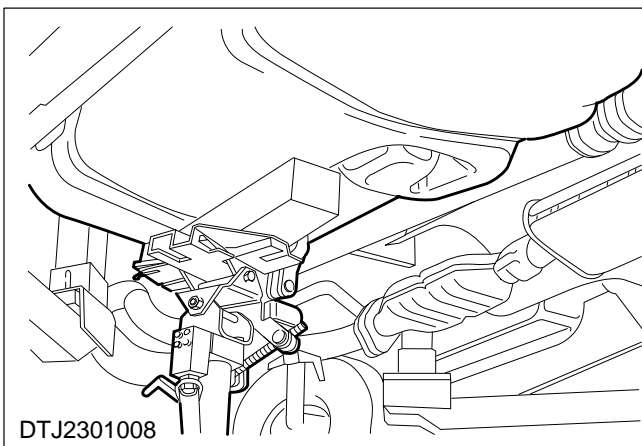
3. Raise the vehicle on a hoist.
4. Remove the road wheel.
5. Remove the wheelhouse liner (refer to Operation No. 43 228 0).



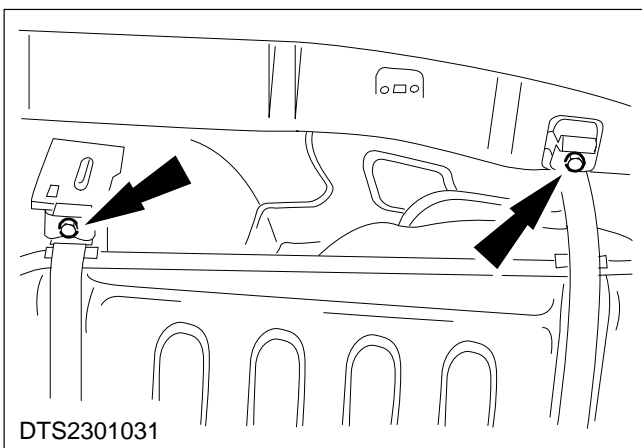
6. Slacken the clip and disconnect the breather hose.



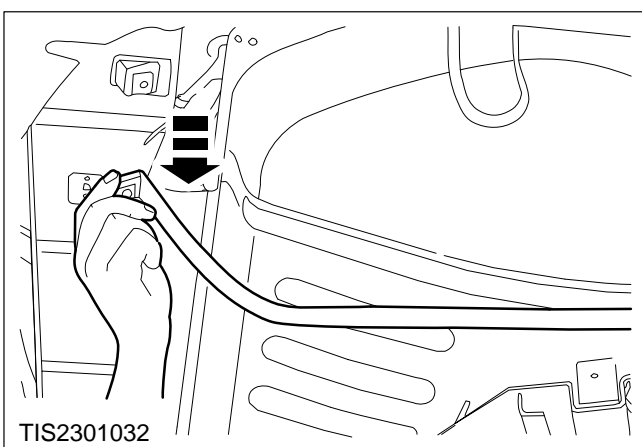
7. Open the clip and disconnect the hose.



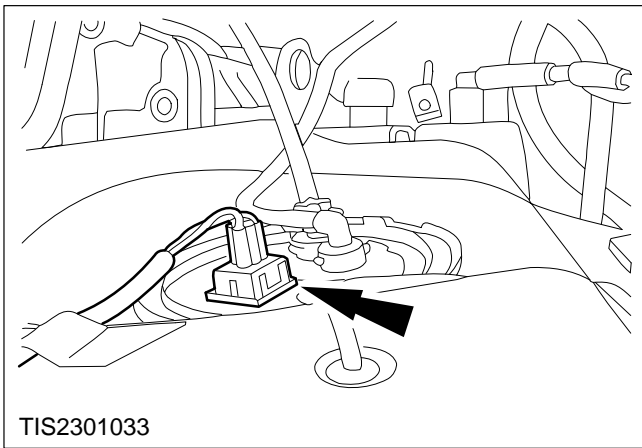
8. Support the fuel tank from below using a suitable method.



9. Unscrew the fuel tank strap retaining bolts.

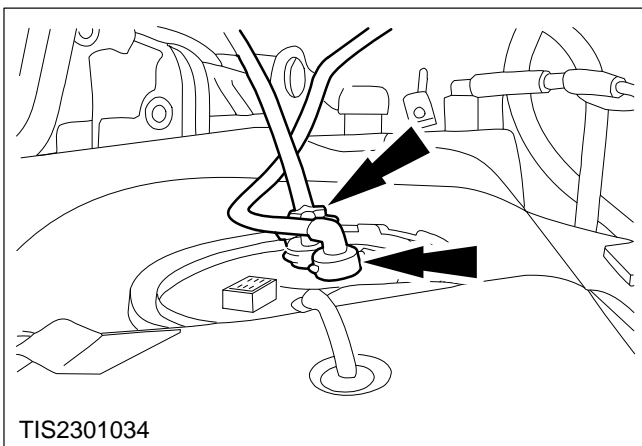


10. Lower the fuel tank straps.

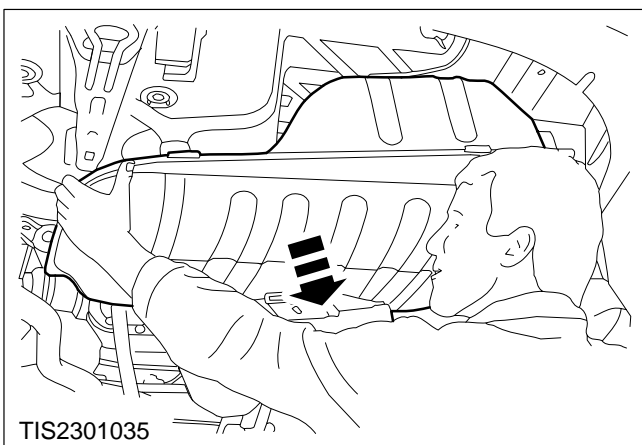


⚠ CAUTION: Do not pull on the wiring; pull on the multiplug body.

11. Lower the fuel tank and disconnect the fuel pump/sender unit multiplug.



12. Disconnect the fuel supply and return pipes.



13. Remove the fuel tank.

Install

14. Refit the components in reverse order.