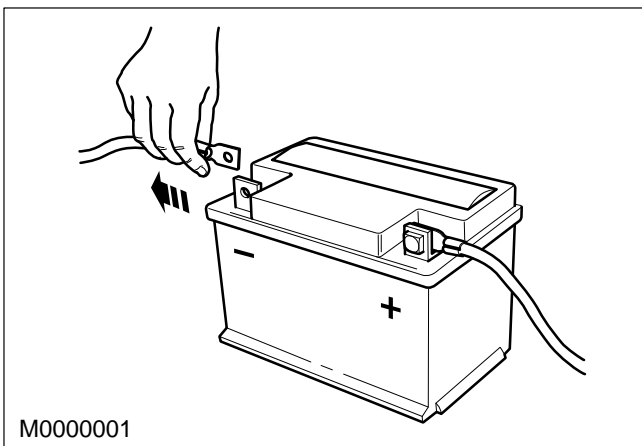


Fuel Tank Filler Pipe – Remove and Install (23 572 0)

Proprietary Tools

Fuel tank draining equipment



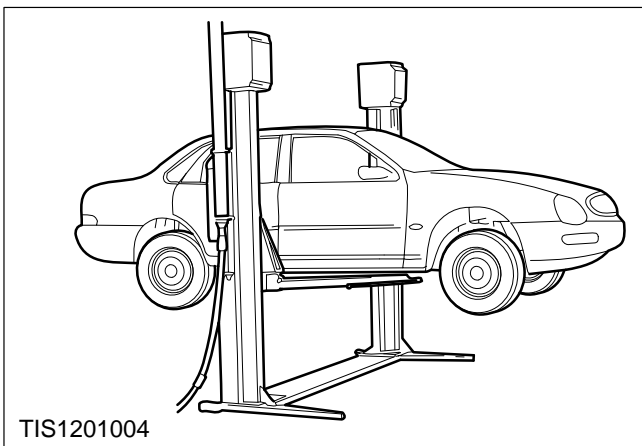
M0000001

Remove

1. Disconnect the battery earth lead.

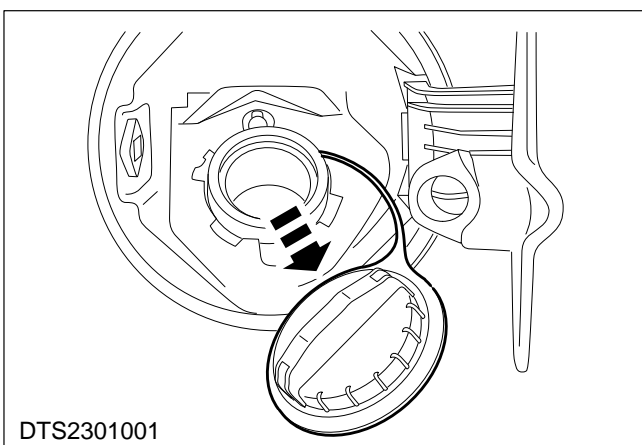
⚠ WARNING: Observe fuel handling precautions.

2. Drain the fuel tank using proprietary tank draining equipment. Follow the manufacturer's instructions carefully.



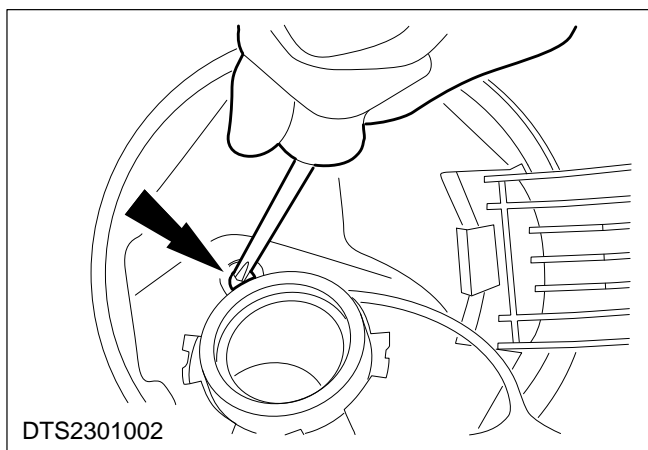
TIS1201004

3. Raise the vehicle on a hoist.
4. Remove the road wheel.
5. Remove the wheelhouse liner (refer to Operation No. 43 228 0).

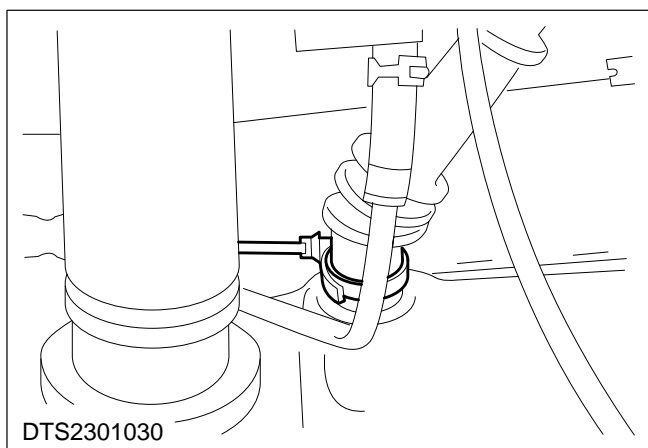


DTS2301001

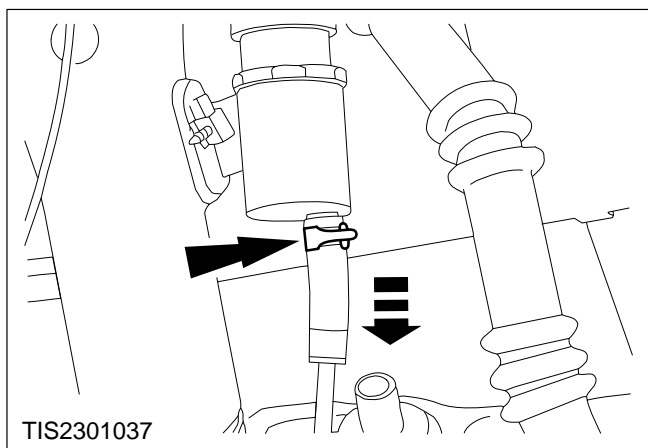
6. Remove the fuel tank filler cap.



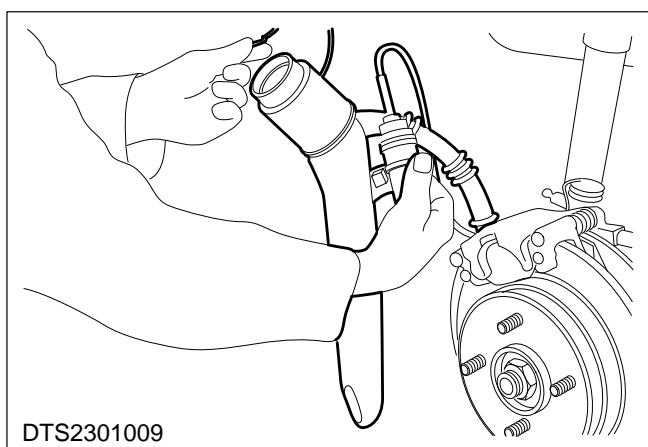
7. Unscrew the fuel tank filler pipe retaining screw.



8. Slacken the clip and disconnect the breather hose.



9. Open the clip and disconnect the hose.



10. Remove the fuel tank filler pipe.

Install

11. Refit the components in reverse order.