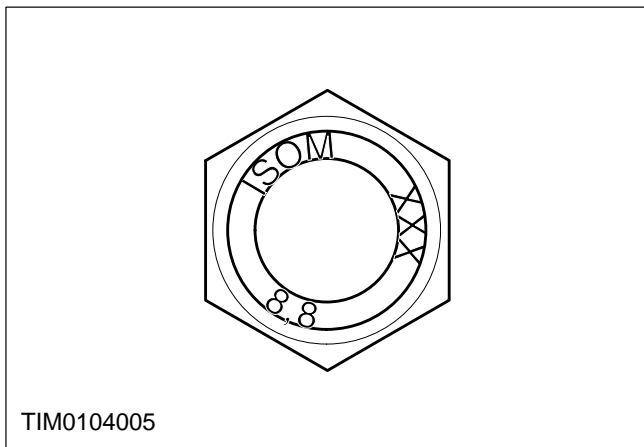


# Application and Use of Specifications

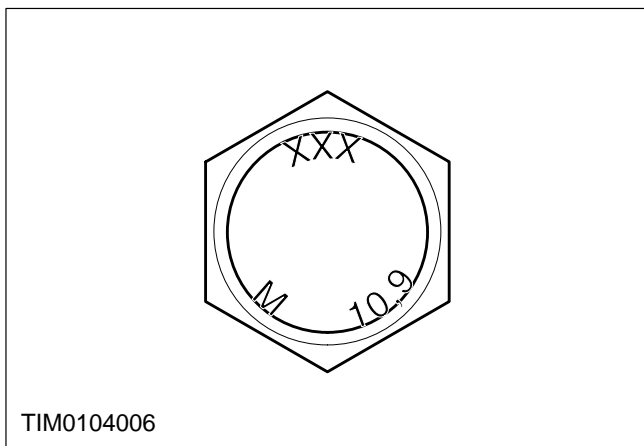
**01-04**

Subsection Content	Page
Bolt Head Identification Marks	01-04-1
Basic Conversion Tables	01-04-4

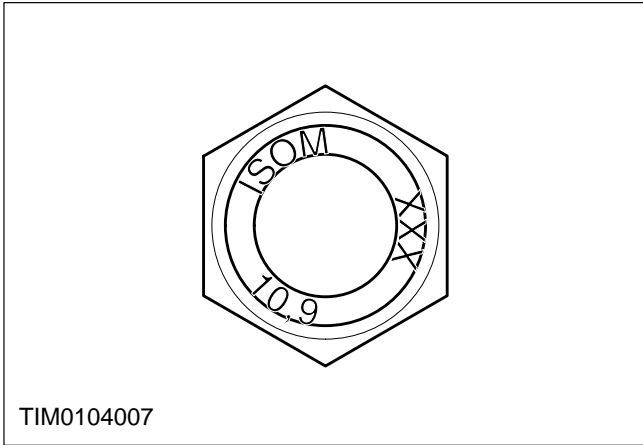
## Bolt Head Identification Marks - Standard Hardware



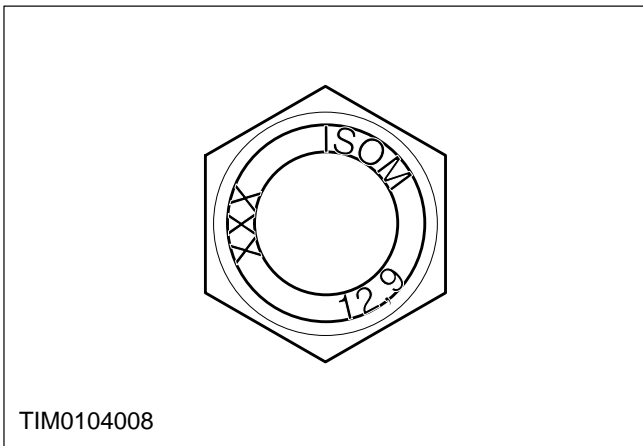
### 1. ISO Metric Bolt Standard Marking



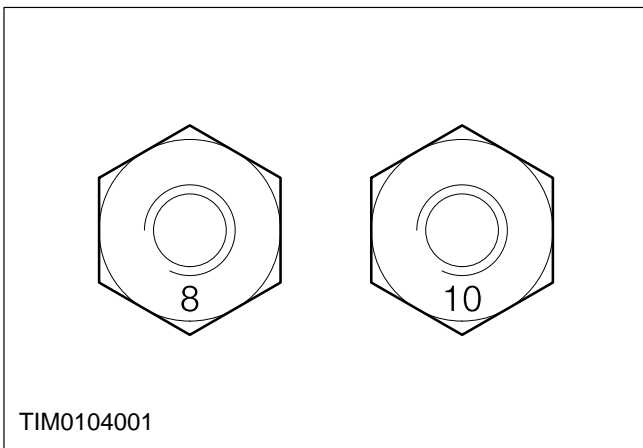
### 2. ISO Metric Bolt Alternative Marking



**3. ISO Metric Bolt Strength Grade 10,9  
Coloured Blue**

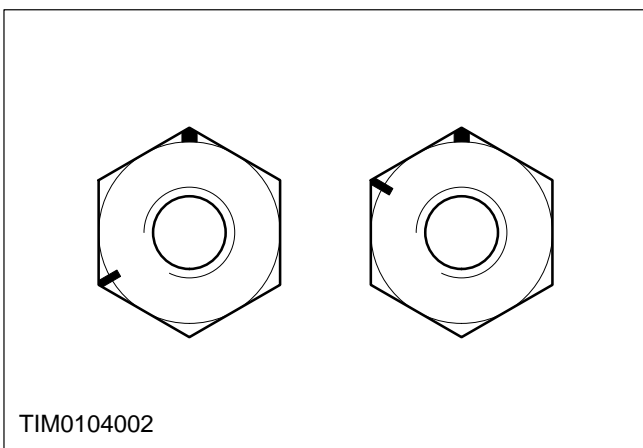


**4. ISO Metric Bolt Strength Grade 12,9  
Coloured Red**



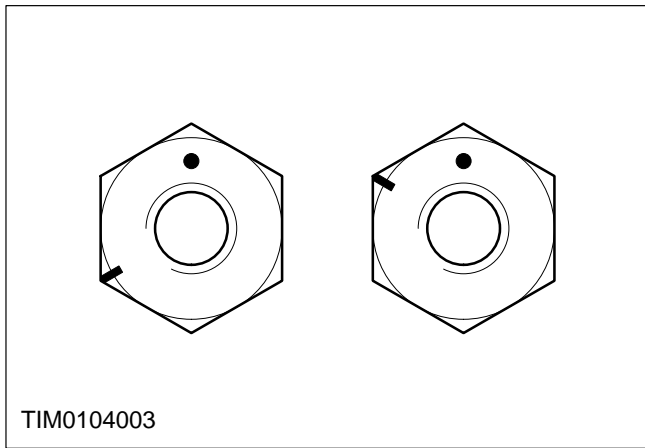
**5. Strength Grade Identification of  
Prevailing Torque Nuts**

Strength grade number indented into face

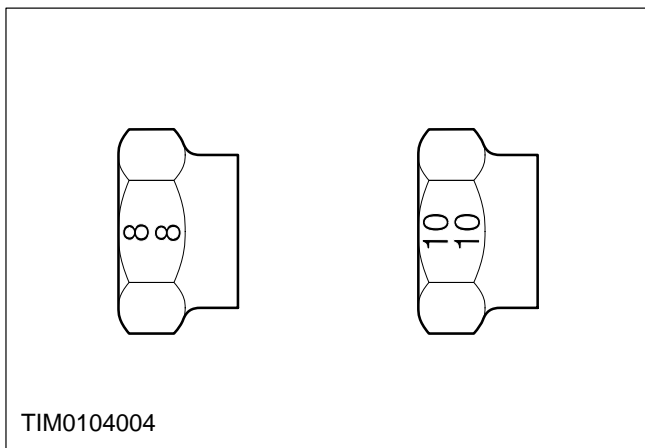


**6. 'Clock Face' Identification Marks  
Embossed on Shoulders**

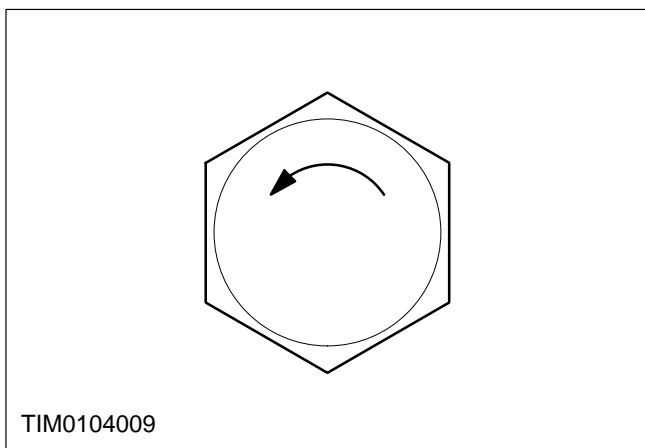
Dot = 12 o'clock; Line = Strength grade



**7. 'Clock Face' Identification Marks Indented into Face**



**8. Number Indented into one Hexagon Flat**



**9. Arrow Indented into Face Indicates Direction of Thread.**

## Basic Conversion Tables

### Length

Abbrev.	From	To	Multiply by
mm	Millimetres	Inches	0,0394
in	Inches	Millimetres	25,400
m	Metres	Feet	3,281
ft	Feet	Metres	0,304
km	Kilometres	Miles	0,621
mi	Miles	Kilometres	1,609

### Area

Abbrev.	From	To	Multiply by
mm <sup>2</sup>	Millimetres <sup>2</sup>	Inches <sup>2</sup>	0,00155
in <sup>2</sup>	Inches <sup>2</sup>	Millimetre <sup>2</sup>	645,2
m <sup>2</sup>	Metres <sup>2</sup>	Feet <sup>2</sup>	10,76
ft <sup>2</sup>	Feet <sup>2</sup>	Metres <sup>2</sup>	0,0929

### Volume (Liquid Capacity)

Abbrev.	From	To	Multiply by
cm <sup>3</sup>	Centimetres <sup>3</sup>	Inches <sup>3</sup>	0,061
in <sup>3</sup>	Inches <sup>3</sup>	Centimetres <sup>3</sup>	16,3871
l	Litres	Pints	1,760
pt	Pints	Litres	0,570
l	Litres	Gallons	0,220
gal	Gallons	Litres	4,546

### Mass (Weight)

Abbrev.	From	To	Multiply by
g	Grams	Ounces	0,035
oz	Ounces	Grams	28,350
kg	Kilograms	Pounds	2,205
lb	Pounds	Kilograms	0,454
t	Tonne	Ton	1,1
ton	Ton	Tonne	0,907

### Force

Abbrev.	From	To	Multiply by
lb	Pounds	Newtons	4,448
N	Newtons	Pounds	0,224

**Pressure/Stress**

<b>Abbrev.</b>	<b>From</b>	<b>To</b>	<b>Multiply by</b>
kPa	Kilopascals	Pounds/Inch <sup>2</sup>	0,145
lb/in <sup>2</sup>	Pounds/Inch	Kilopascals	6,895
bar	Bar	Pounds/Inch <sup>2</sup>	14,5038
lb/in <sup>2</sup>	Pounds/Inch	Bar	0,06895

**Torque**

<b>Abbrev.</b>	<b>From</b>	<b>To</b>	<b>Multiply by</b>
Nm	Newton Metres	Pound Inches	8,85
lbf.in	Pound/Inches	Newton Metres	0,11298
Nm	Newton Metres	Pound Feet	0,73756
lbf/ft	Pounds Feet	Newton Metres	1,35582