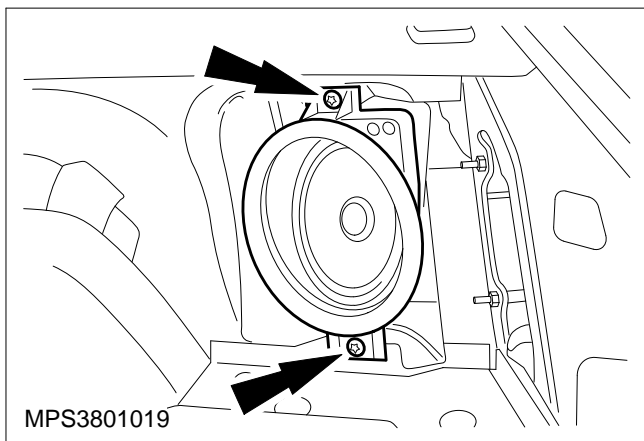
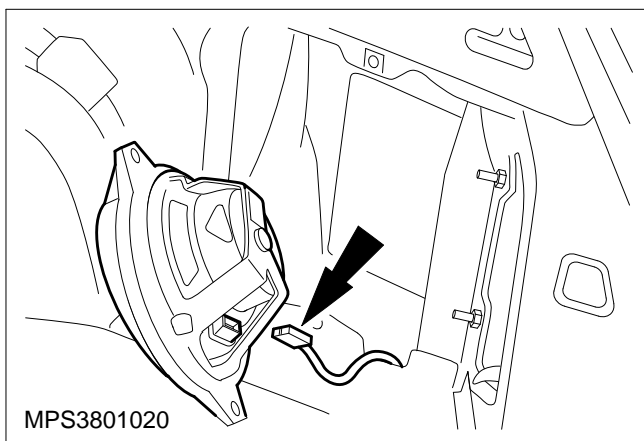


Radio Loudspeaker – Load Space Trim Panel – Remove and Install (38 284 0)**Remove**

- 1. Remove the load space trim panel (refer to Operation Number 43 746 0).**
- 2. Detach the loudspeaker (two Torx screws).**



⚠ CAUTION: When disconnecting multiplugs do not pull on the wiring; pull on the multiplug body.

- 3. Disconnect the speaker lead and remove the loudspeaker.**

Install

- 4. Refit the components in reverse order.**