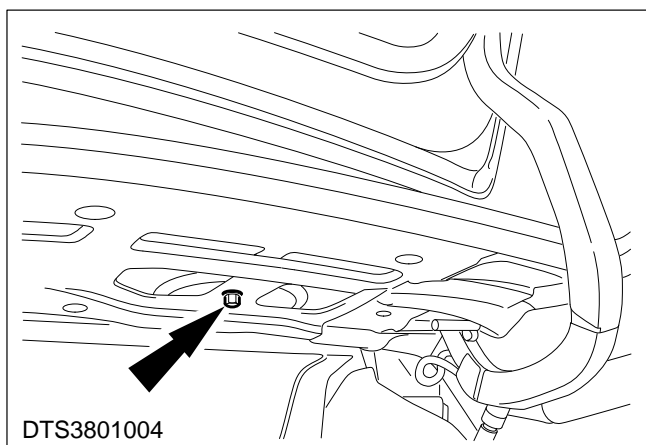
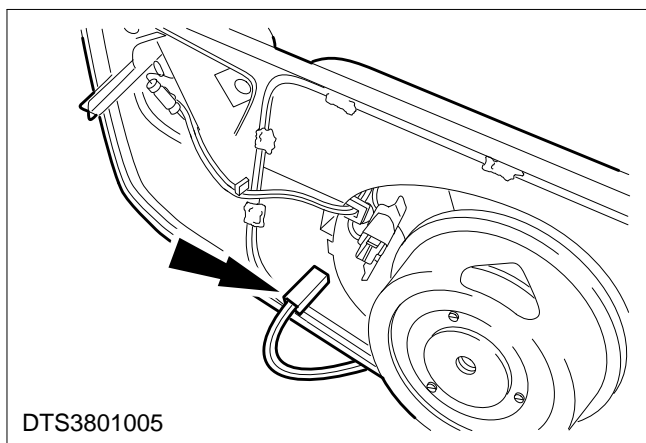


**Radio Loudspeaker – Rear Parcel Shelf – Remove And Install (38 277 0)****Remove**

- 1. Detach the loudspeaker assembly (one nut).**



**⚠ CAUTION:** When disconnecting the multiplug do not pull on the wiring; pull on the multiplug body.

- 2. Disconnect the loudspeaker lead and remove the loudspeaker assembly.**

**Install**

- 3. Refit the components in reverse order.**