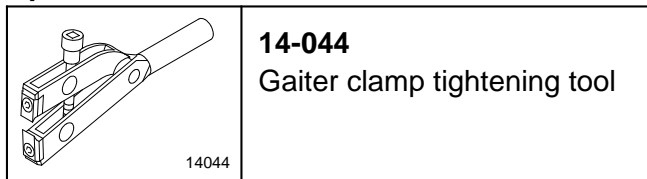


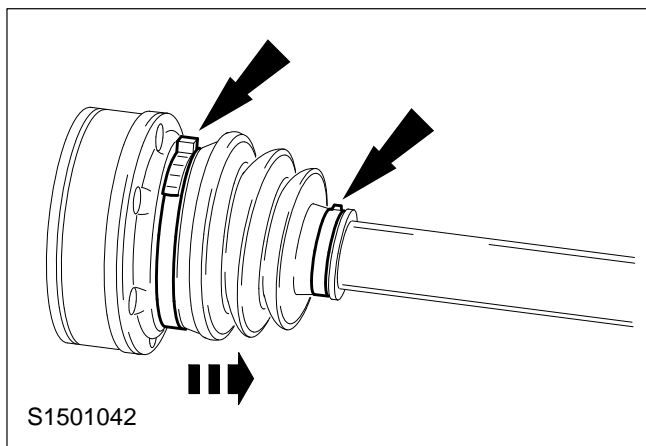
Shaft – Rear Axle – Overhaul (rear axle shaft(s) removed) (15 321 8)

Special Tools



Materials

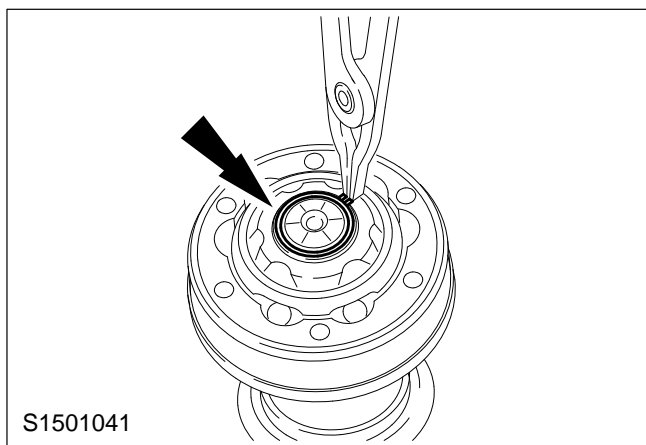
| | |
|-------------------------|---------------|
| High-temperature grease | WSD-M1C237-A |
| Sealer | SPM-2G-9121-A |



Dismantle

1. Release the rubber gaiters.

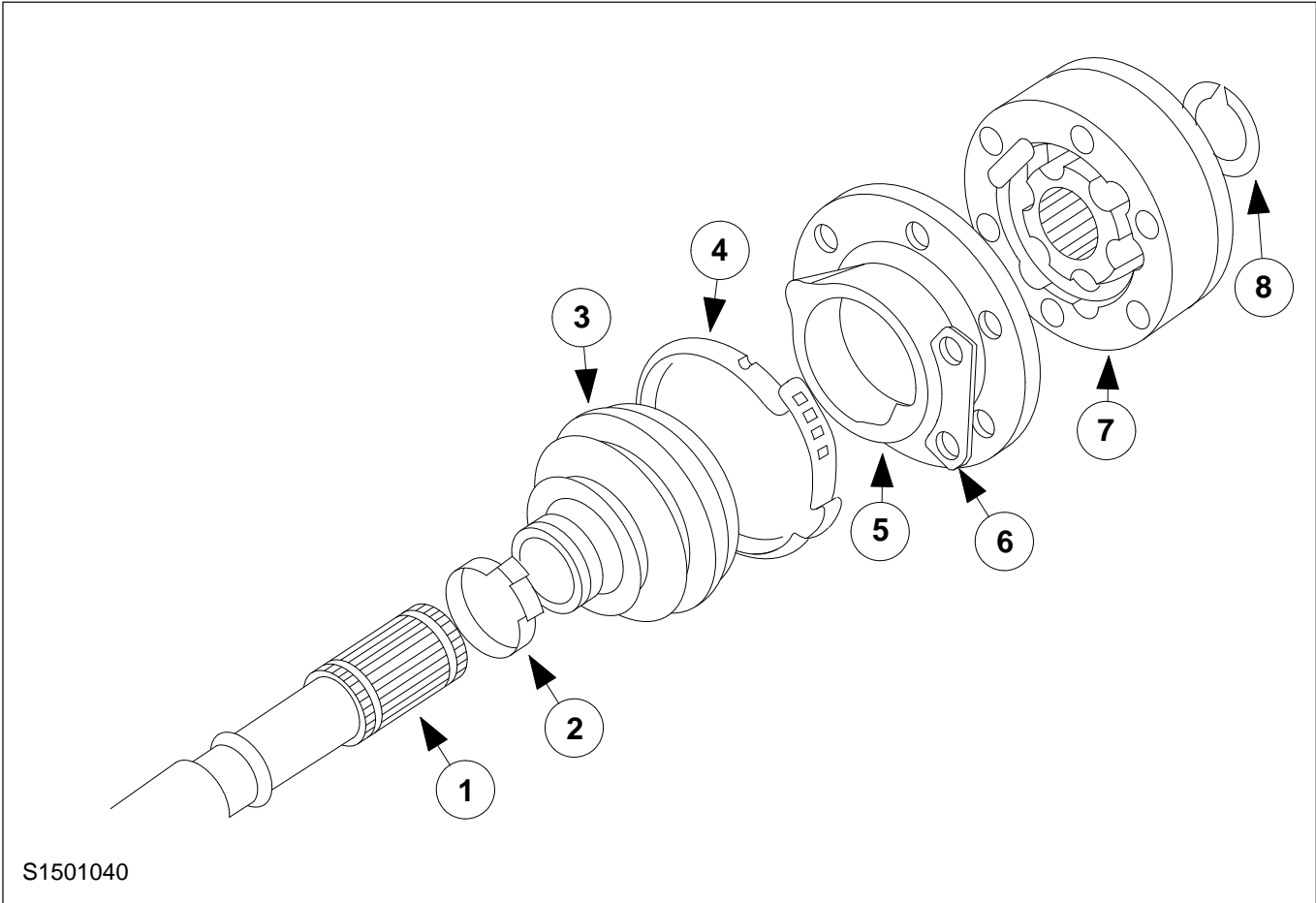
- Cut the clamps and remove them (two per gaiter).
- Pull the gaiters off the constant-velocity joints.



2. Detach the constant-velocity joints from the rear axle driveshaft.

Remove the circlips, pull off the joints and gaiters.

3. Detach the protective caps from the constant-velocity joints.

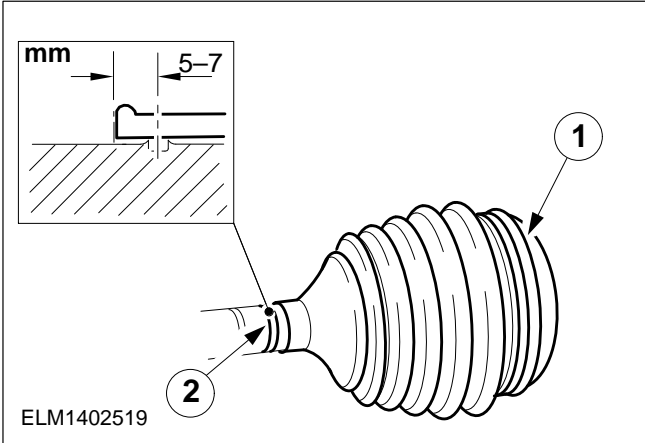


S1501040

Exploded view of rear axle driveshaft

| Item | Description |
|------|----------------------|
| 1 | Rear Axle Driveshaft |
| 2 | Clamp |
| 3 | Gaiter |

| | |
|---|-------------------------|
| 4 | Clamp |
| 5 | Protective cap |
| 6 | Reinforcing plate |
| 7 | Constant-velocity joint |
| 8 | Circlip |

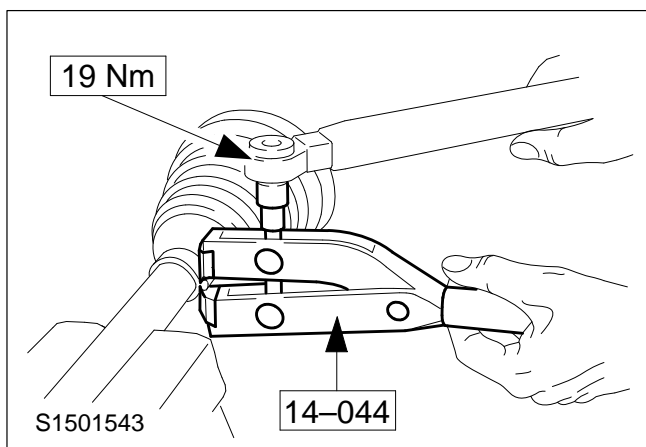


ELM1402519

Assemble

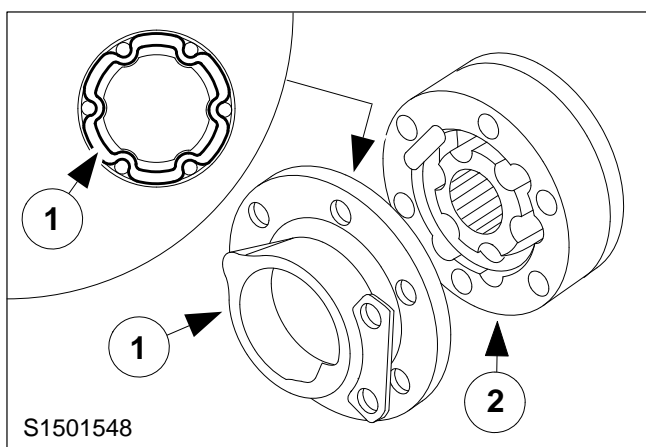
4. Fit the rubber gaiter.

- 1 Slide the gaiter onto the driveshaft with a new inner clamp.
- 2 Position the gaiter correctly in the annular groove.



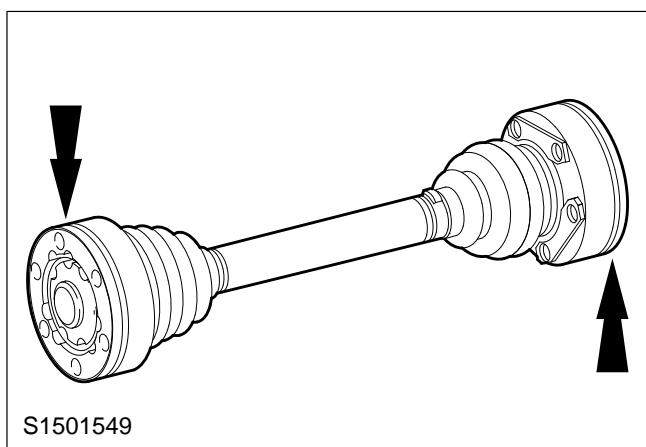
5. Tighten the inner clamp.

Place the clamp in the annular groove of the gaiter and tighten it using the special tool.



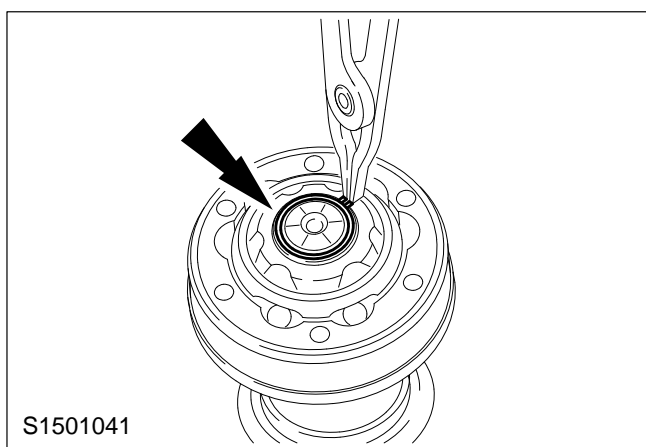
6. Fit the protective caps on the constant velocity joints.

Apply a thin coating (0,7 gram) of sealer (specification SPM-2G9121-A) to the protective cap on the inside.



NOTE: The grooves on the circumference of the joints should be on the outside.

7. Fit the constant-velocity joints.



8. Fit the circlips.

9. Slide the gaiters on to the protective caps.

10. Tighten the outer clamps (see step 5.).

NOTE: Close the clamp between two bolt holes.

11. Pack each constant velocity joint with 90 grams of grease, all around the balls.

The grease specification is WSD-M1C237-A.