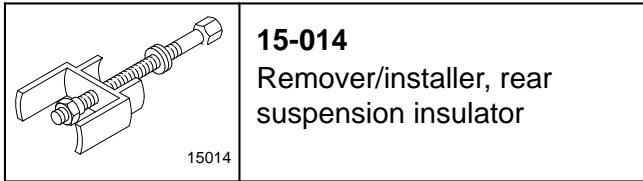


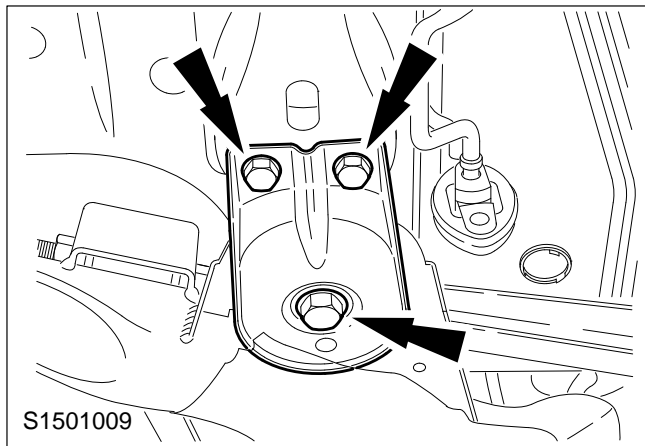
## Insulator – Rear Suspension Crossmember – Remove and Install (one) (15 681 0)

### Special Tools



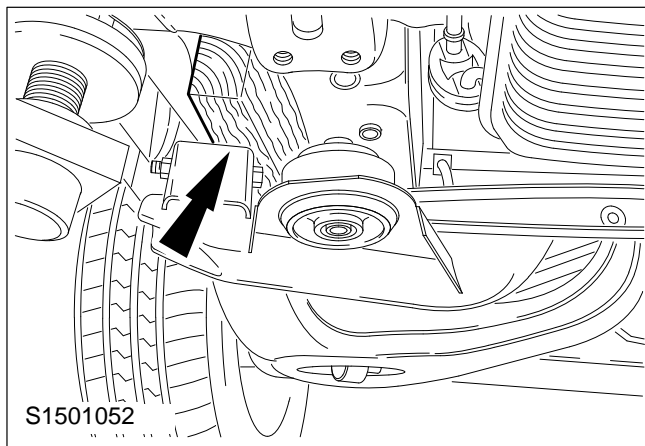
### Proprietary Tools

M12 spindle with thrust pad

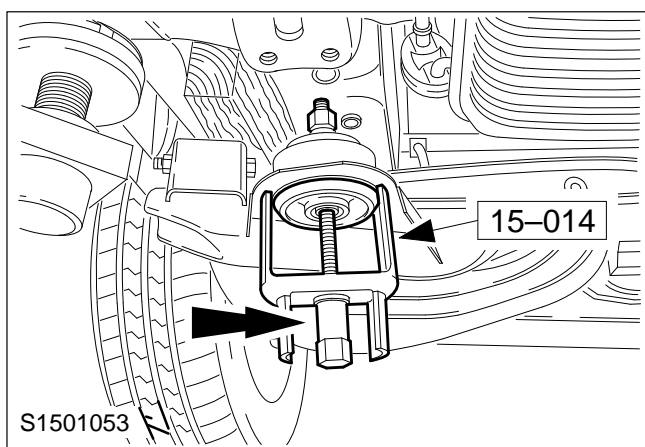


### Remove

1. Raise the vehicle.
2. Remove the guide plate from the rear axle crossmember.

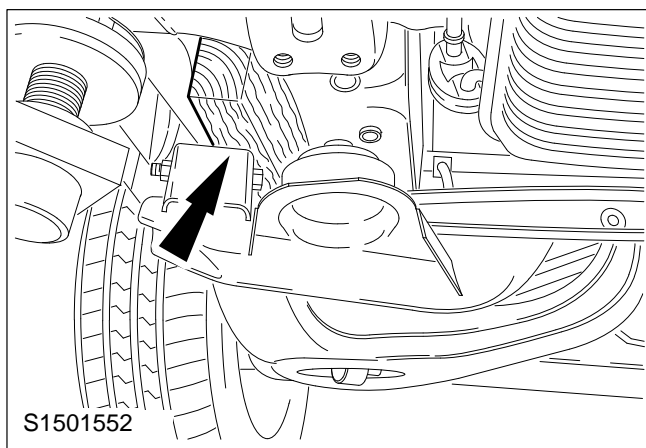


3. Place a wooden block between the floor assembly and the rear axle crossmember.



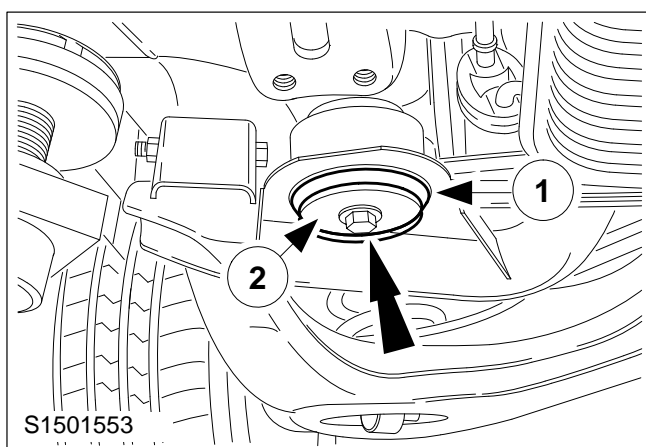
**NOTE:** Use a spacer sleeve 40 mm in length.

4. Pull out the insulator.



## Install

5. Remove the wooden block.

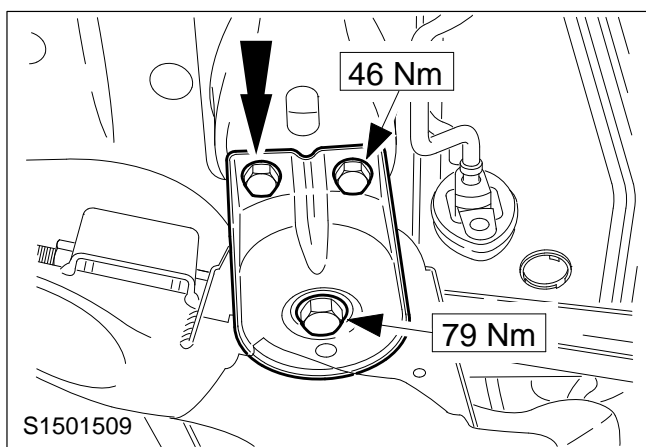


6. Install the insulator using a bolt (M12) and a suitable thrust pad.

1 Insulator

2 Thrust pad

- Remove the thrust pad.



7. Fit the guide plate.

8. Lower the vehicle.