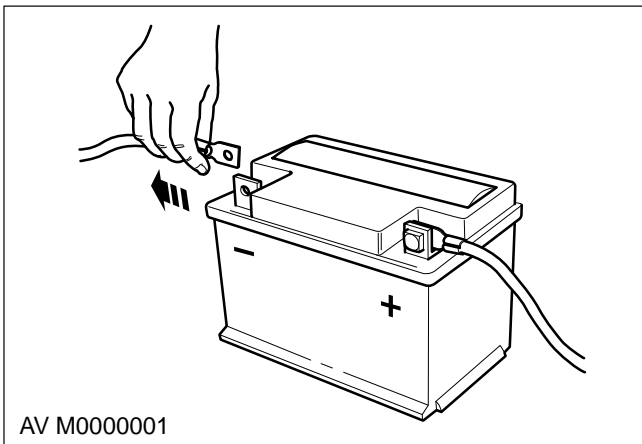
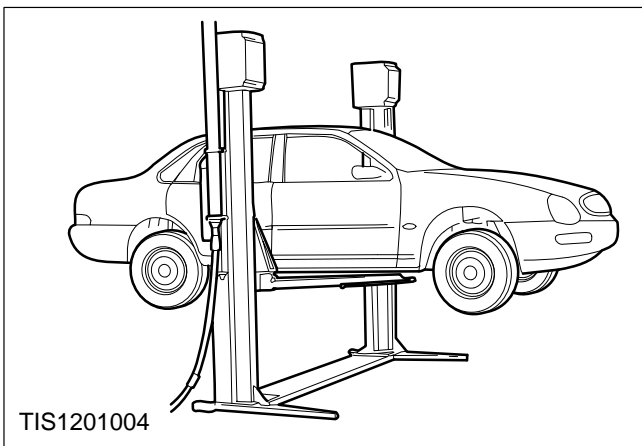


Pump Assembly – Power Steering – Remove and Install (VM Diesel) (13 434 0)

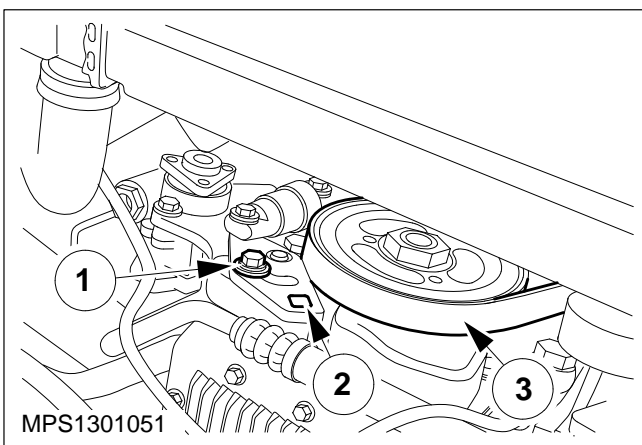


Remove

1. Disconnect the battery negative lead.
2. Remove the cooling fans (refer to Operation Number 24 212 0).

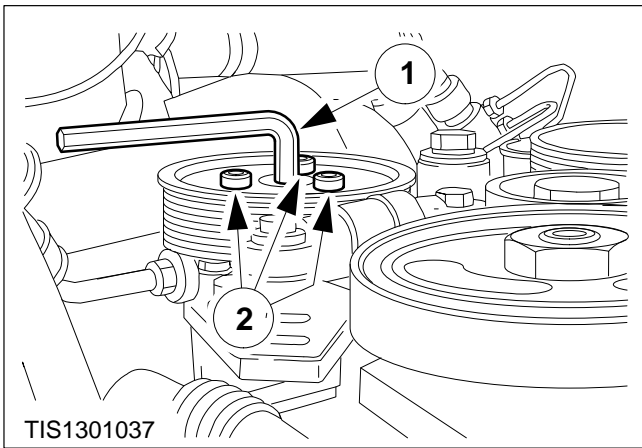


3. Raise the vehicle.



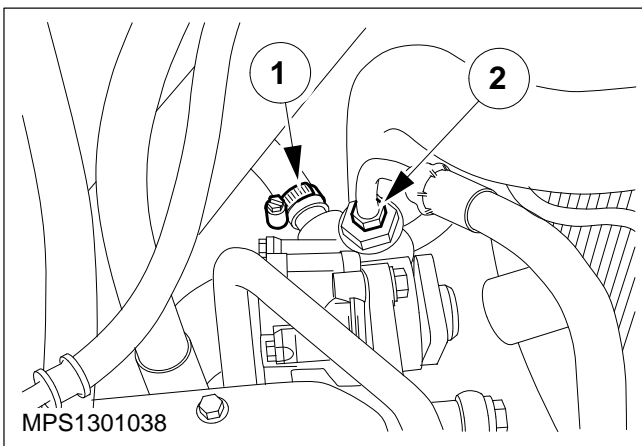
Belt – Power Steering – Pump Drive – Remove (13 424 0)

4. Remove the drive belt.
 - 1 Slacken the belt tension adjuster locking bolt.
 - 2 Rotate the belt tension adjuster in a clockwise direction.
 - 3 Remove the belt and release the belt tension adjuster.



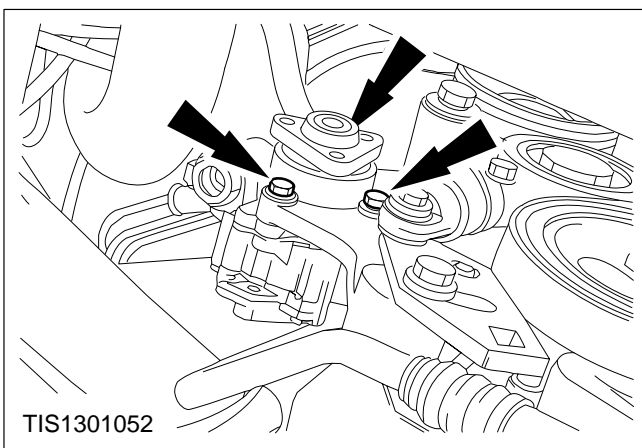
5. Remove the pump pulley.

- 1 Hold the centre of the pulley with an Allen key.
- 2 Remove the three bolts with an Allen key.

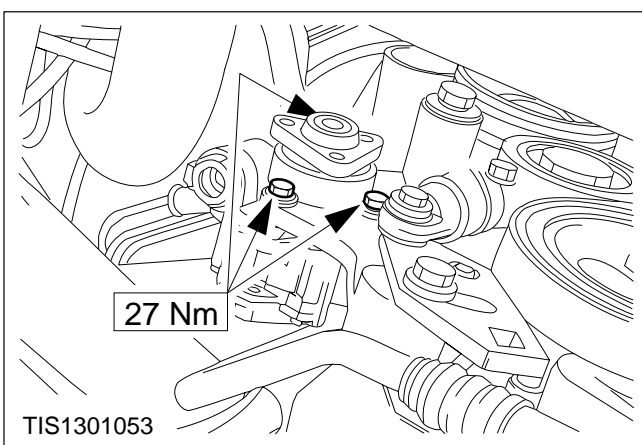


6. Disconnect and remove the pipe and hose from the power steering pump.

- 1 Disconnect the power steering hose.
 - 2 Disconnect the power steering pipe.
- Allow the fluid to drain into a suitable container.

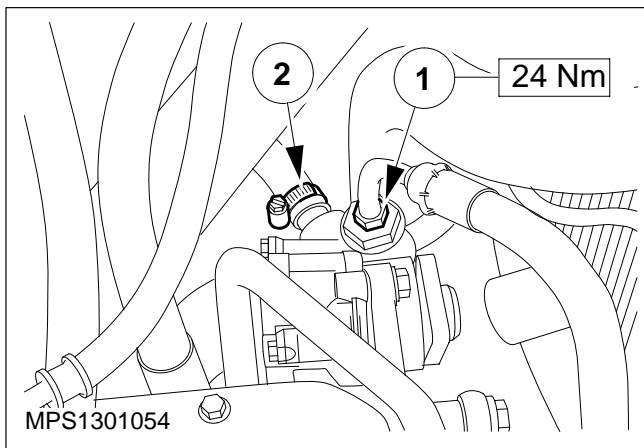


7. Remove the power steering pump.



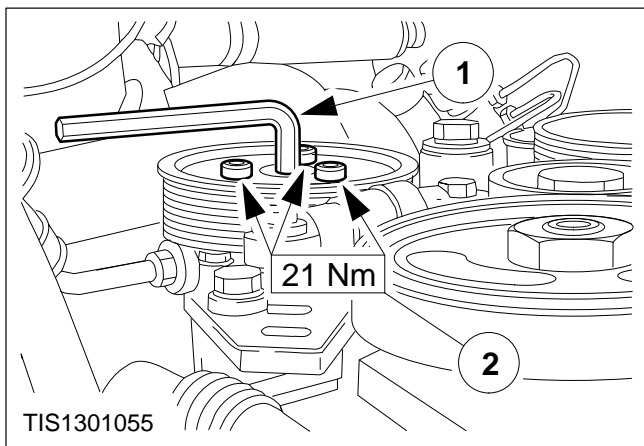
Install

8. Refit the power steering pump.
9. Fit a new union 'O' ring.



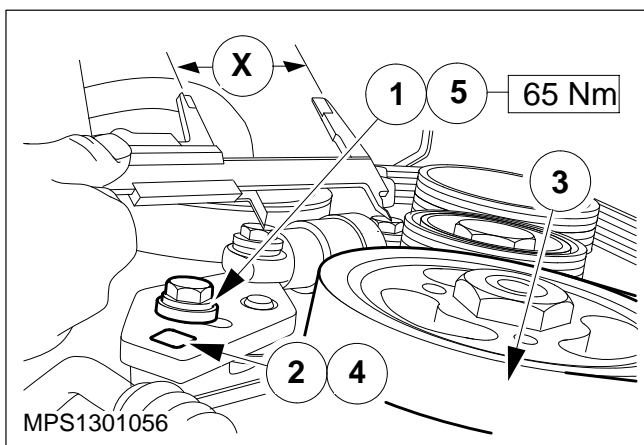
10. Reconnect the pipe and hose to the power steering pump.

- 1 Reconnect the power steering pipe.
- 2 Reconnect the power steering hose.



11. Refit the pump pulley.

- 1 Hold the centre of the pulley with an Allen key.
- 2 Refit the three bolts with an Allen key.



Belt – Power Steering – Pump Drive – Install (13 424 0)

12. Refit the pump drive belt.

- 1 Slacken the belt tension adjuster locking bolt.
- 2 Rotate the belt tension adjuster in a clockwise direction.
- 3 Refit the belt.
- 4 Rotate the belt tension adjuster until the distance 'X' = 82 mm.
- 5 Tighten the belt tension adjuster locking bolt.

13. Lower the vehicle.

14. Refit the cooling fans (refer to Operation Number 24 212 0).

15. Reconnect the battery negative lead.

16. Bleed the power steering system (refer to Operation Number 13 416 1).