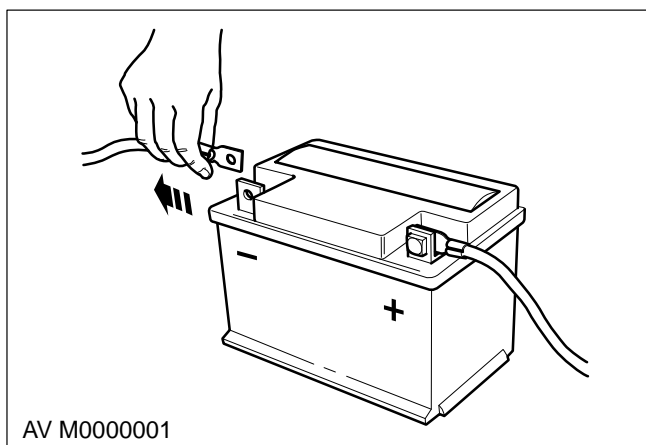
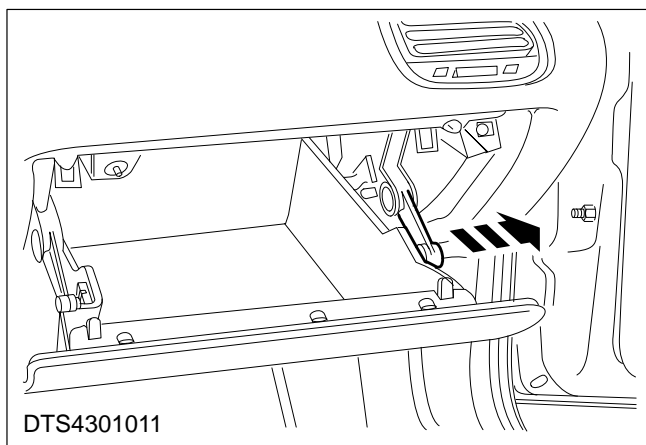


## Module (Servotronic) – Power Steering – Remove and Install (13 480 0)



### Remove

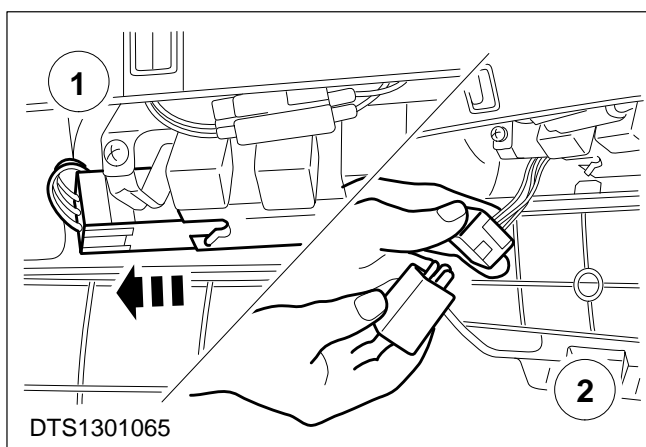
1. Disconnect the battery negative lead.



2. Remove the glove compartment lid.

Carefully prise the bracket to one side to release.

3. Lower the relay/fuse box cover.



4. Remove the module.

1 Release the retaining clip and slide out the module.

2 Disconnect the module multiplug.

## Install

- 5. Refit the components in the reverse order.**