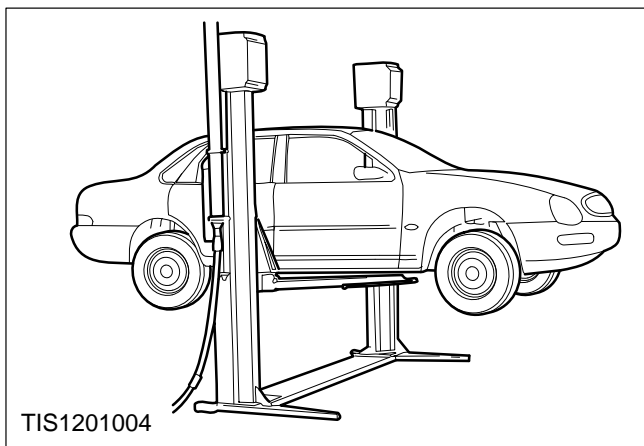
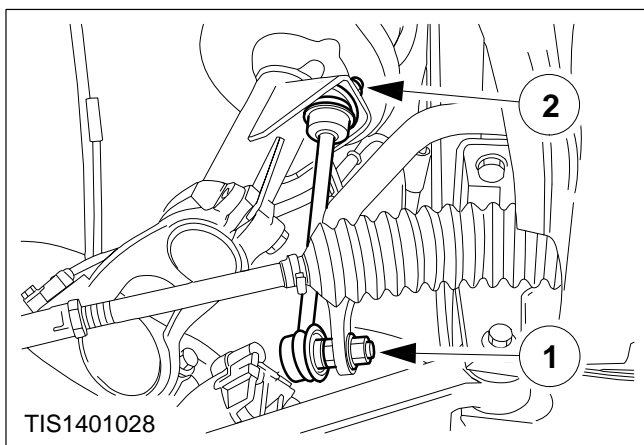


Connecting Link – Stabiliser Bar – Remove And Install (14 757 0)



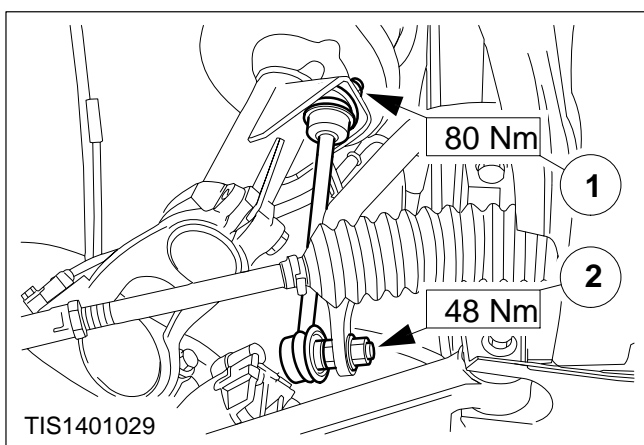
Remove

1. **Slacken the wheel nuts, raise the vehicle and remove the front road wheel.**



2. **Remove the connecting link assembly.**

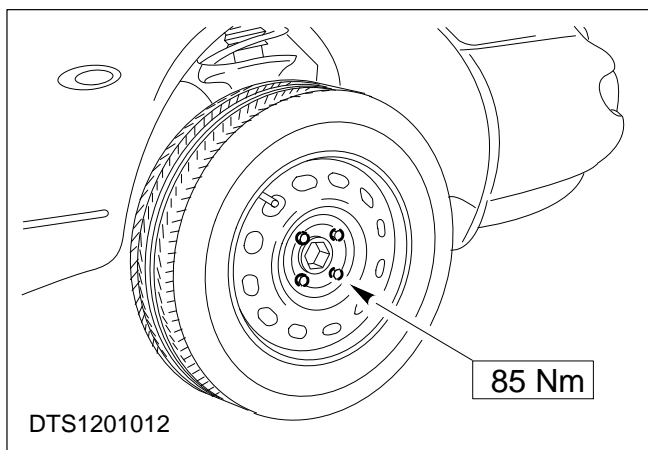
- 1 Remove the connecting link from the stabiliser bar.
- 2 Remove the connecting link from the suspension unit.



Install

3. **Refit the connecting link assembly.**

- 1 Refit the connecting link to the suspension unit.
- 2 Refit the connecting link to the stabiliser bar.



4. Refit the front wheel and lower the vehicle.