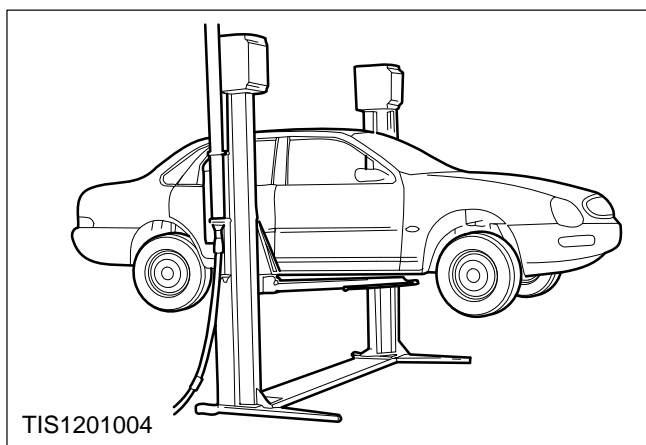
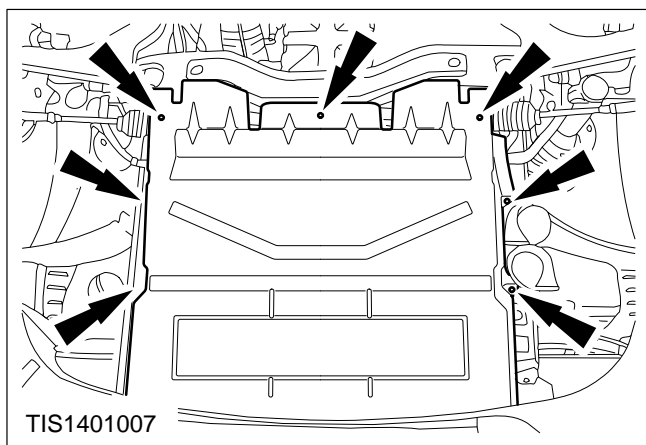
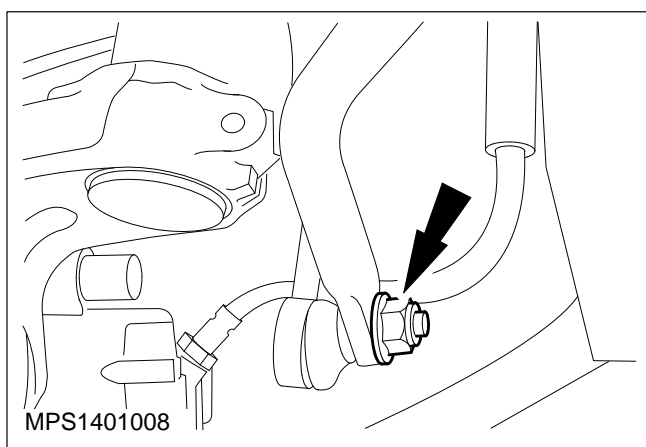


**Stabiliser Bar – Remove And Install (14 752 0)****Remove**

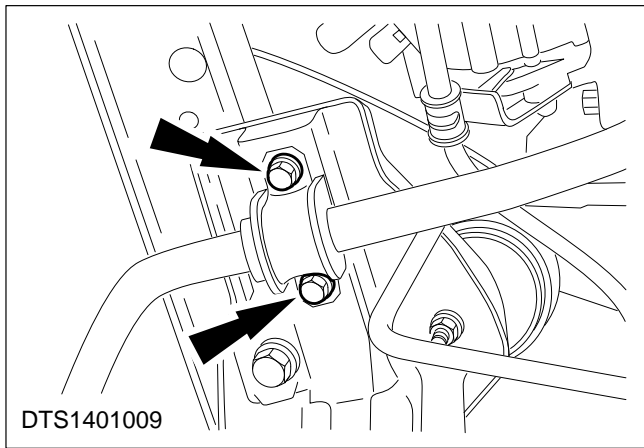
- 1. Slacken the wheel nuts, raise the vehicle and remove the front road wheels.**



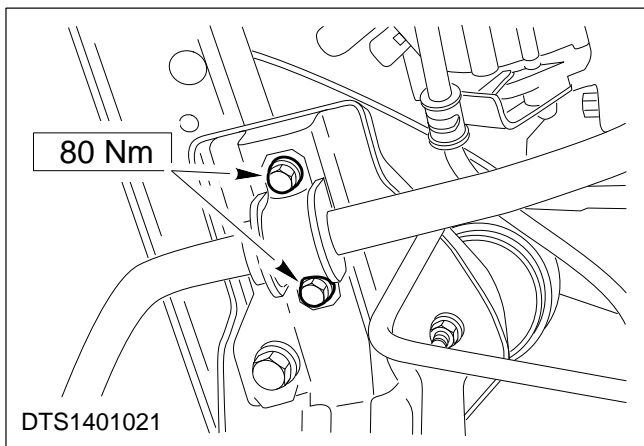
- 2. Remove the engine lower cover.**



- 3. Remove the link assemblies from the stabiliser bar.**

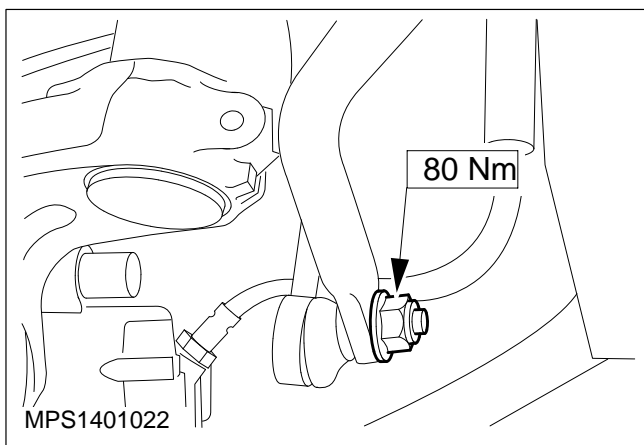


**4. Remove the stabiliser bar.**



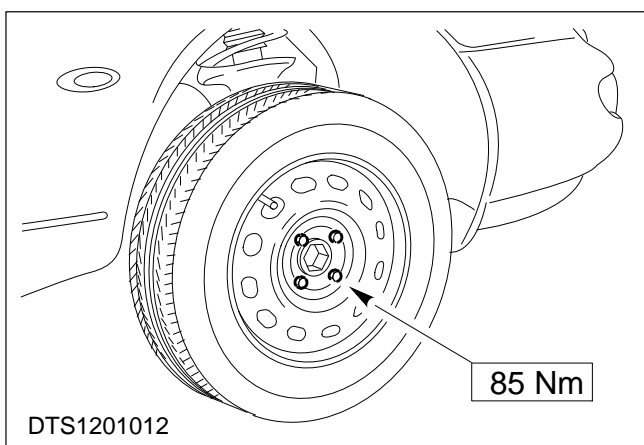
**Install**

**5. Refit the stabiliser bar.**



**6. Reconnect the stabiliser bar to suspension link assemblies.**

**7. Refit the lower engine shield.**



**8. Refit the front wheels and lower the vehicle.**