

Shock Absorber – Rear – Remove and Install (one side) (15 791 0)

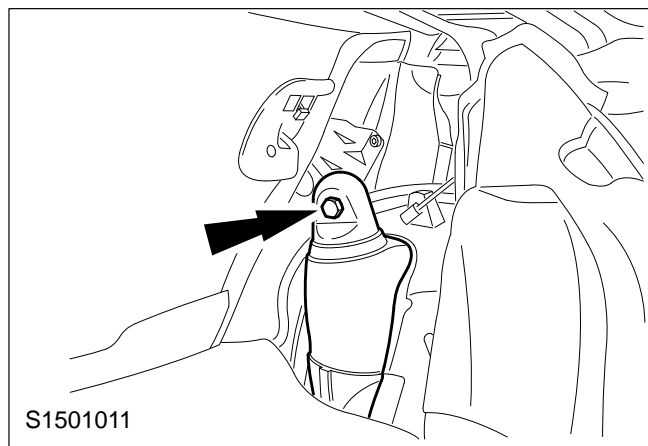
Workshop Equipment

Transmission jack	
Trolley jack	

Remove

NOTE: When self-levelling suspension is fitted, detach the connector from the shock absorber.

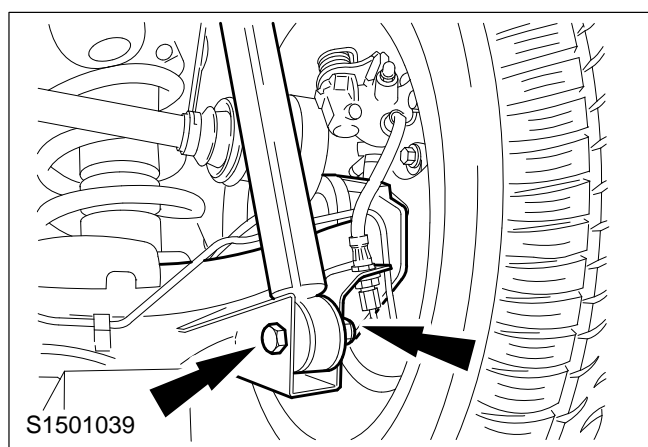
- 1. Raise the rear of the vehicle and place the rear axle crossmember under load.**



Saloon only

- 2. Detach the shock absorber at the top (one bolt).**

Pull back the rear side trim panel in the luggage compartment.



- 3. Detach the shock absorber at the bottom.**

Remove the shock absorber from the vehicle.

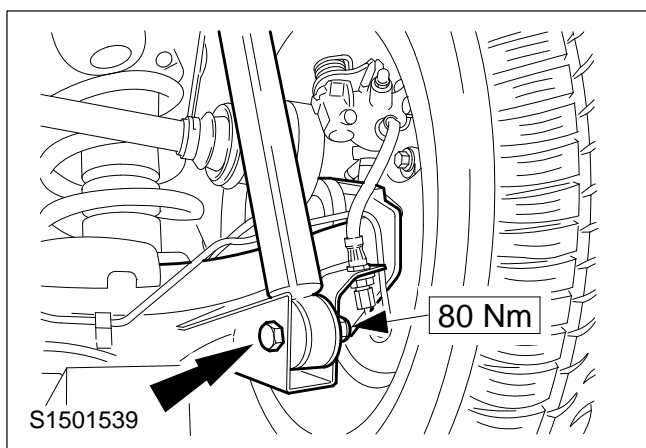
Estate only

4. Remove the rear spring as described in Operation number 15 621 0.
5. Remove the shock absorber from the vehicle.

Install

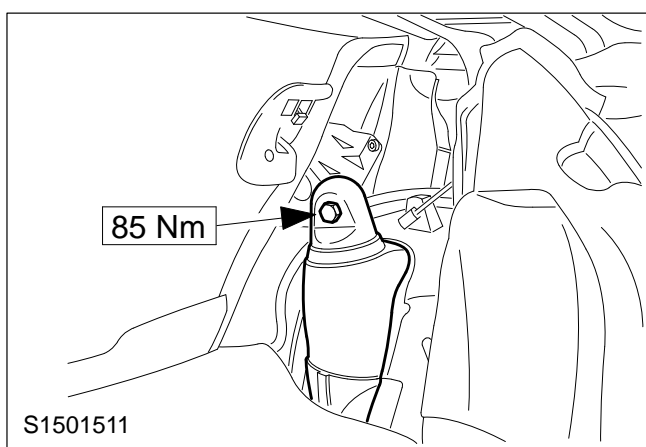
NOTE: When self-levelling suspension is fitted, secure the connector to the shock absorber.

6. Fit the shock absorbers.



Saloon only

7. Attach the shock absorber at the bottom.
 - Guide the shock absorber into the mounting at the top.
 - Secure the shock absorber at the bottom with the bolt.



Saloon only

8. Attach the shock absorber at the top.

Secure the luggage compartment side trim panel.

Estate only

9. Fit the shock absorber.

**10. Install the rear spring as described in
Operation number 15 621 0.**

11. Remove the trolley jack.

12. Lower the vehicle.