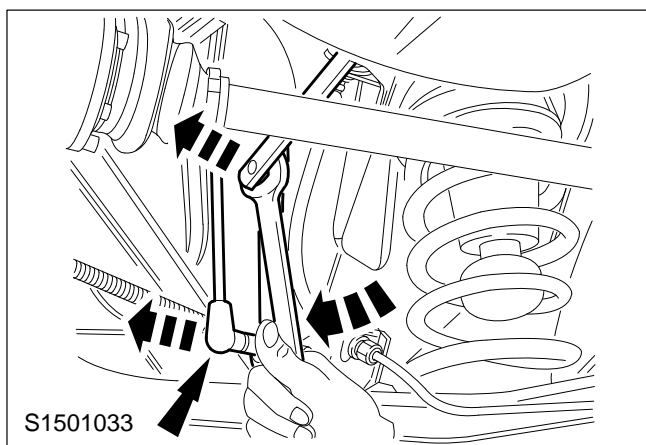


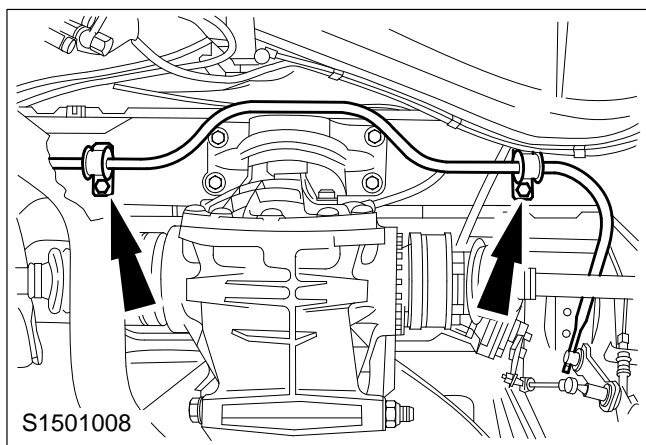
Stabiliser Bar – Rear – Remove and Install (15 752 0)



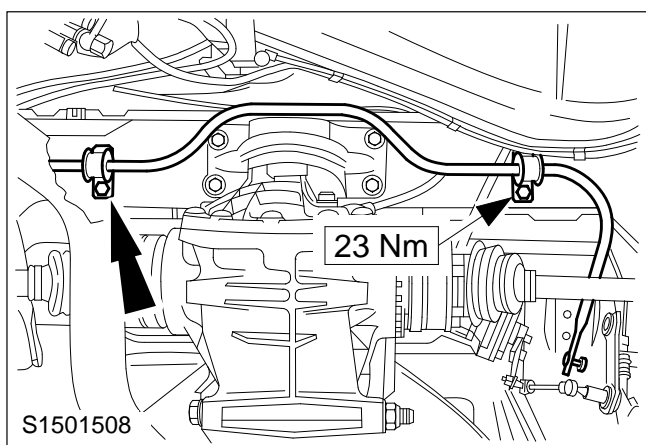
Remove

NOTE: Disconnect the ball coupling from the linkage when self-levelling suspension is fitted.

1. **Raise the vehicle.**
2. **Detach the stabiliser bar from the linkage on the left and the right-hand sides.**

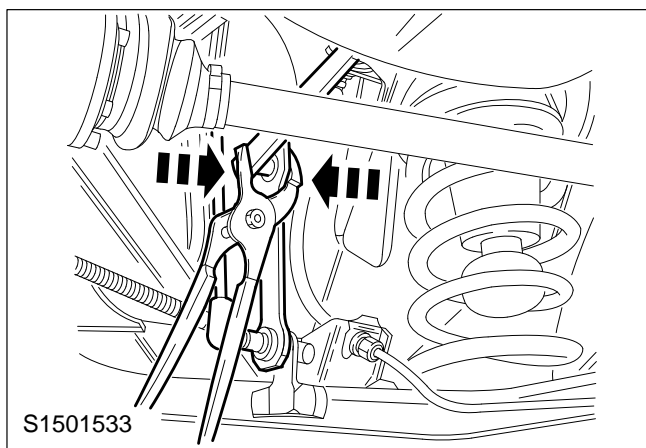


3. **Unscrew the stabiliser bar from the floor assembly (two mounting brackets) and remove it (vehicle shown built up to Dec '95).**



Install

4. **Install the stabiliser bar (vehicle shown built up to Dec '95).**
 - Position the stabiliser bar.
 - Secure the stabiliser bar to the floor assembly with the two mounting brackets.



NOTE: Connect the ball coupling to the linkage when self-levelling suspension is fitted.

- 5. Attach the stabiliser bar to the linkage at the top on the left and the right-hand sides.**
- 6. Lower the vehicle.**